

BACKER ROD (IF NECESSARY) AND APPROVED SEALANT (BY OTHERS)

PA-15BX PERIMETER J

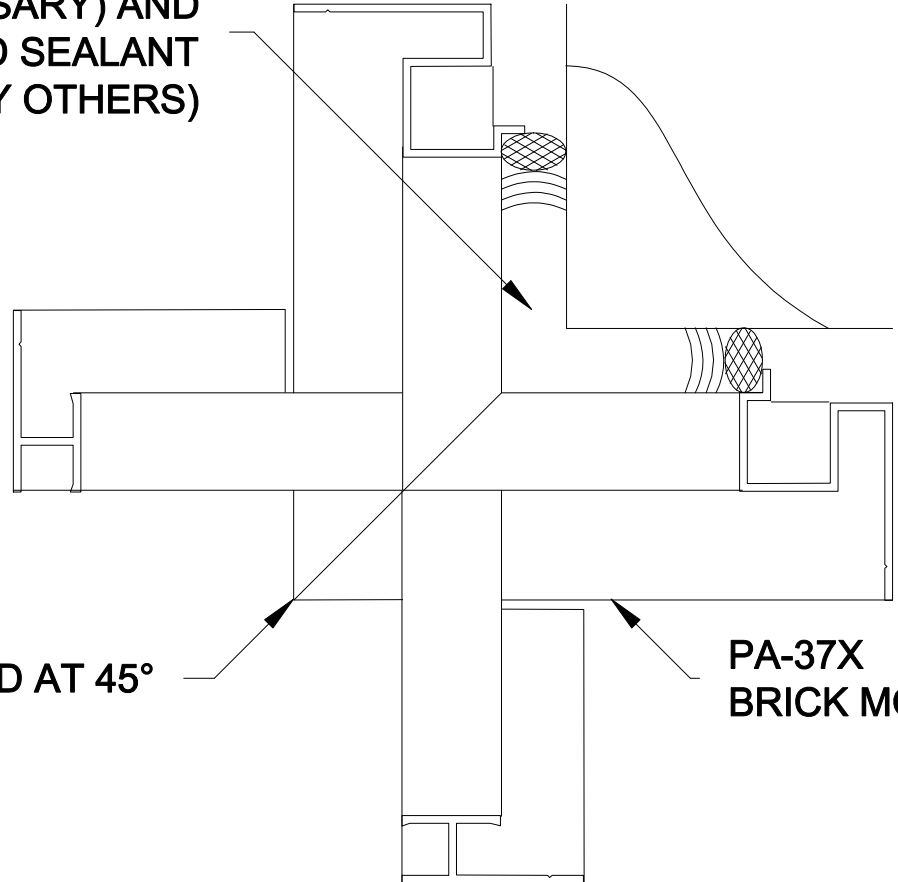
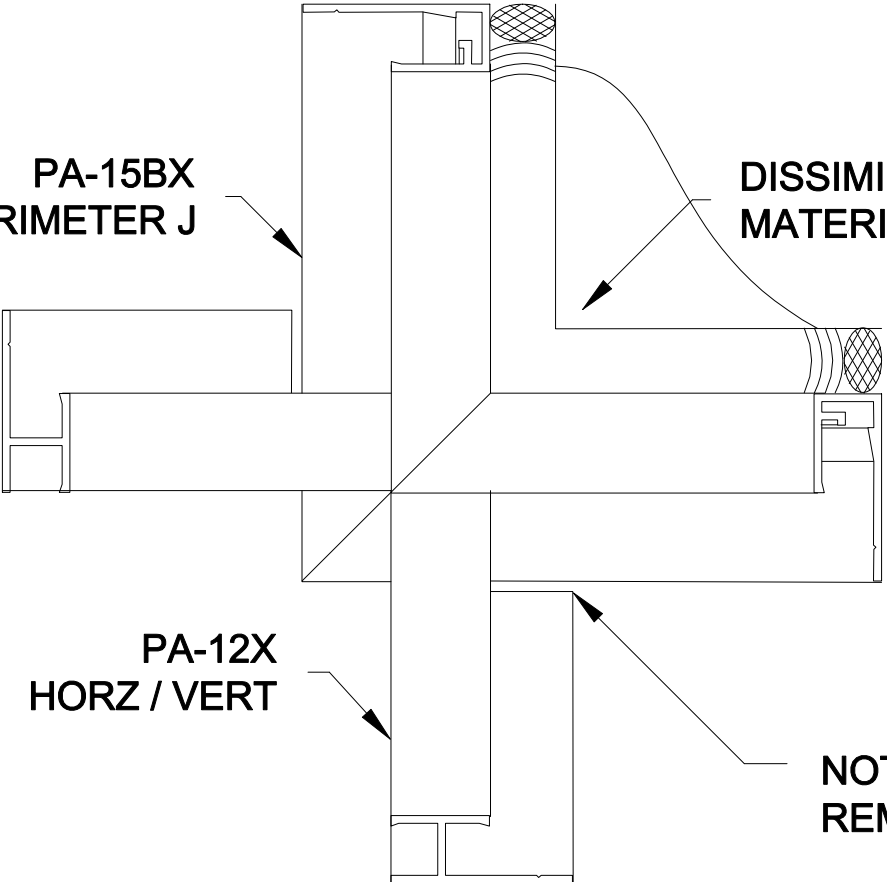
DISSIMILAR MATERIAL

PA-12X HORZ / VERT

NOTCHED AND REMOVED

MITERED AT 45°

PA-37X BRICK MOLD



20A DISSIMILAR MATERIAL CORNER, OPT. 1

20B DISSIMILAR MATERIAL CORNER, OPT. 2