

**NOTES:**

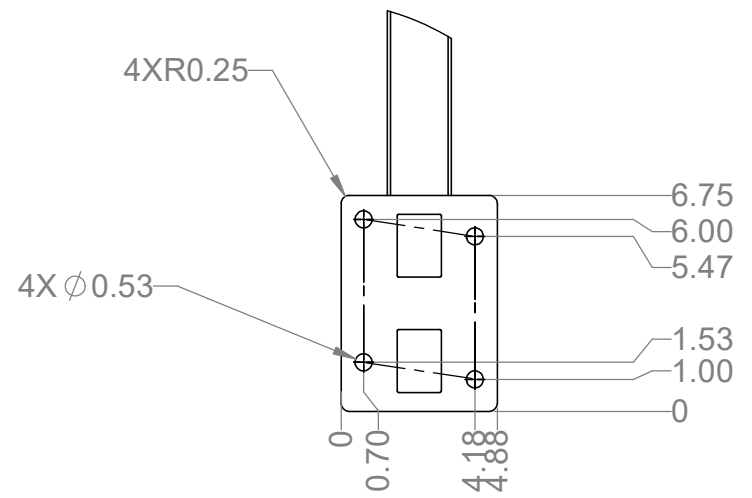
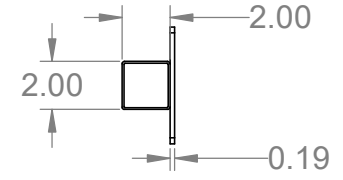
1. UNITS ARE IN INCHES
2. TUBE STOCK IS 14GA 2INX 2IN
3. PLATE THICKNESS IS 3/16"
4. BREAK ALL SHARP EDGES
5. TOP 2" INSIDE POST MUST BE FREE OF SLAG OR BURRS
6. METAL SUBSTRATE MUST BE FREE OF RUST OR SURFACE PITTING
7. PART MARKING IS ACCEPTABLE ON UNDERSIDE OF BASEPLATE
8. ASSEMBLIES ARE TO BE APPROPRIATELY PACKAGED TO AVOID DAMAGE IN SHIPPING AND HANDLING
9. MATERIAL CALLOUT PER TABLE BELOW:

PART NUMBER	MATERIAL
CPXX-XXXX-G-XX	CARBON STEEL, ZINC PLATE
CPXX-XXXX-SS-XX	STAINLESS STEEL

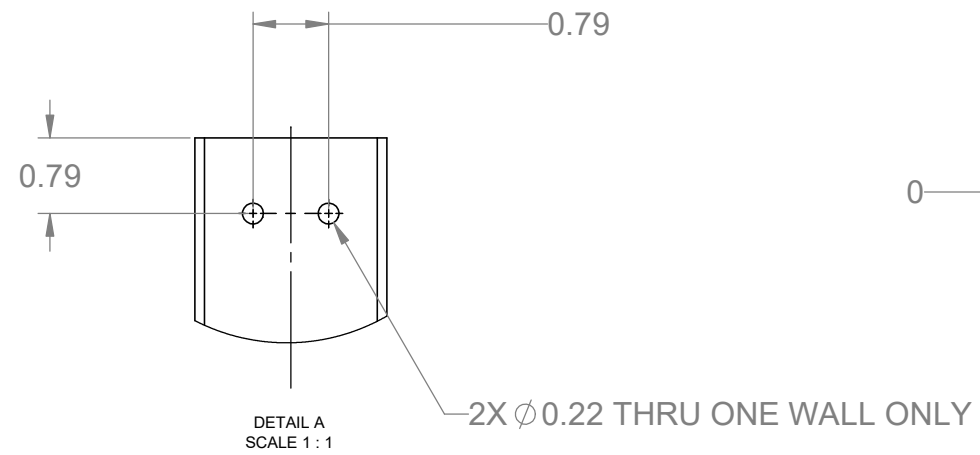
10. POWDERCOAT ALL EXTERIOR SURFACES TO INDUSTRY STANDARD CLASS B. CARDINAL POWDERCOAT COLOR CALLOUT PER TABLE BELOW:

PART NUMBER	POWDERCOAT COLOR
CPXX-XXXX-X-BLK	T002-BK08
CPXX-XXXX-X-WH	T009-WH11
CPXX-XXXX-X-BR	T291-BR251
CPXX-XXXX-X-GR	T353-GR06
CPXX-XXXX-X-RAW	NO FINISH

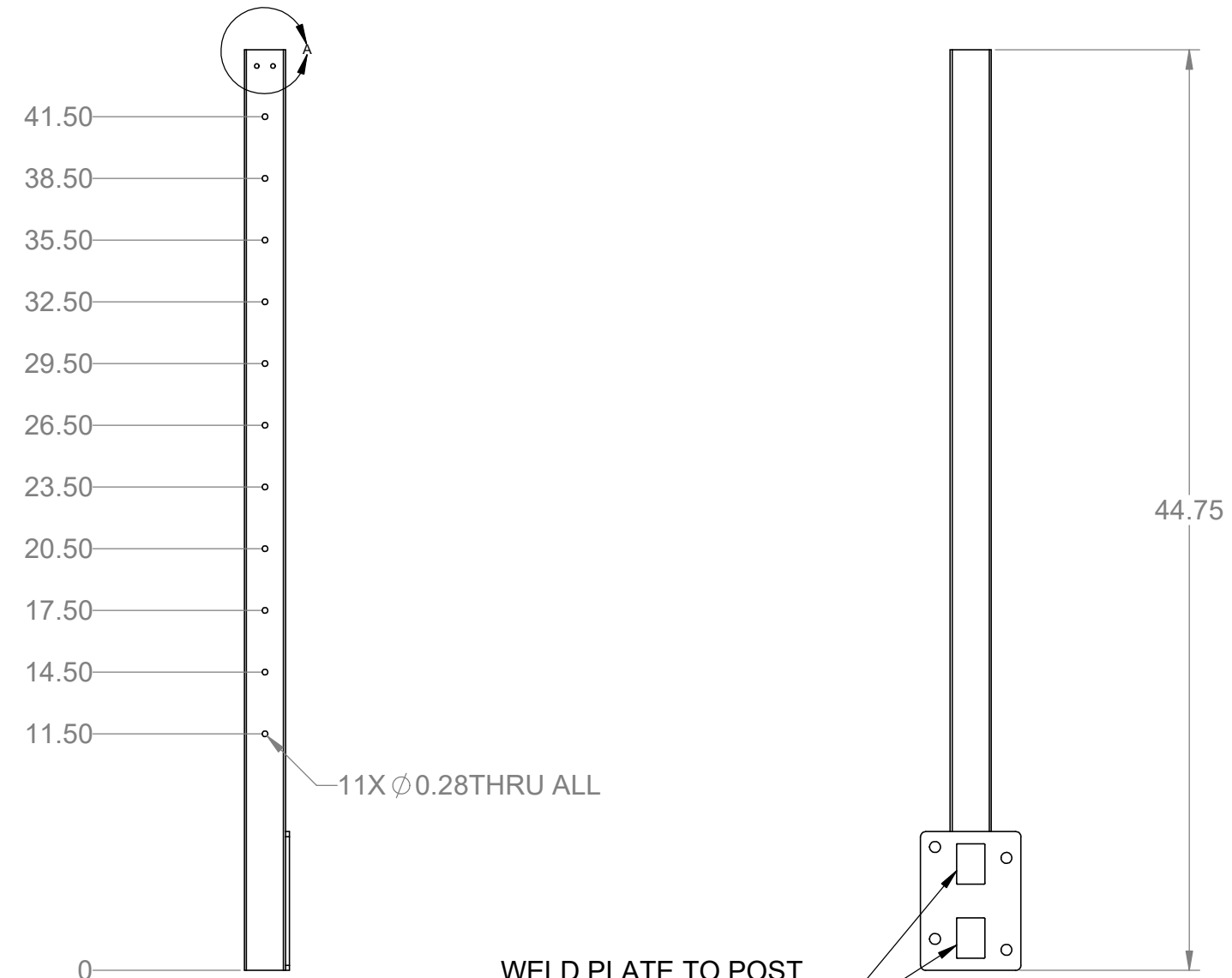
REV.	DESCRIPTION	DATE	APPROVED
A	PRODUCTION RELEASE	05/28/2020	AL
B	UPDATE WELD CUTOUTS	11/22/2021	AL
C	UPDATE TO MATERIAL, FINISH NOTES	12/12/2022	AL



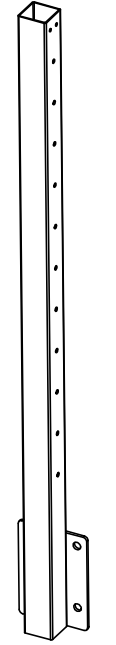
**BASEPLATE DETAIL**



DETAIL A  
SCALE 1:1



WELD PLATE TO POST  
USING THESE  
CUTOUTS



TITLE: <b>CP20-0065</b>	
DESCRIPTION: <b>POST, 36", FASCIA, HORIZONTAL</b>	
SIZE <b>D</b>	REV <b>C</b>
CITYPOST AND RAIL SHEET 1 OF 1	