

NOTES:

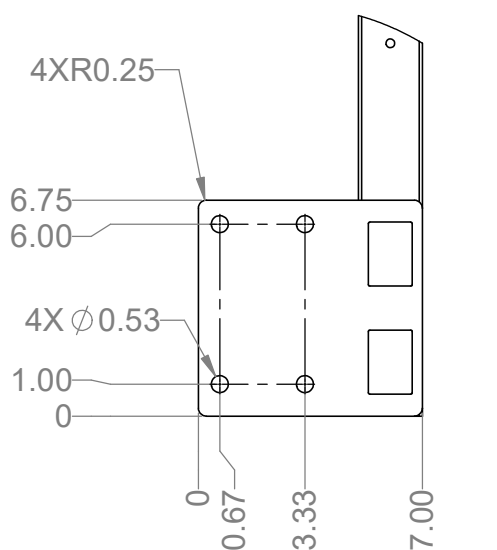
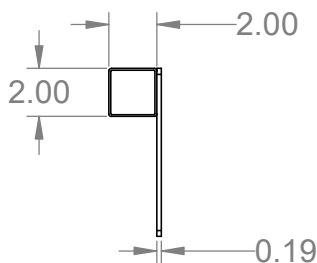
- 1. UNITS ARE IN INCHES
- 2. TUBE STOCK IS 14GA 2INX 2IN
- 3. PLATE THICKNESS IS 3/16"
- 4. BREAK ALL SHARP EDGES
- 5. TOP 2" INSIDE POST MUST BE FREE OF SLAG OR BURRS
- 6. METAL SUBSTRATE MUST BE FREE OF RUST OR SURFACE PITTING
- 7. PART MARKING IS ACCEPTABLE ON UNDERSIDE OF BASEPLATE
- 8. ASSEMBLIES ARE TO BE APPROPRIATELY PACKAGED TO AVOID DAMAGE IN SHIPPING AND HANDLING
- 9. MATERIAL CALLOUT PER TABLE BELOW:

PART NUMBER	MATERIAL
CPXX-XXXX-G-XX	CARBON STEEL, ZINC PLATE
CPXX-XXXX-SS-XX	STAINLESS STEEL

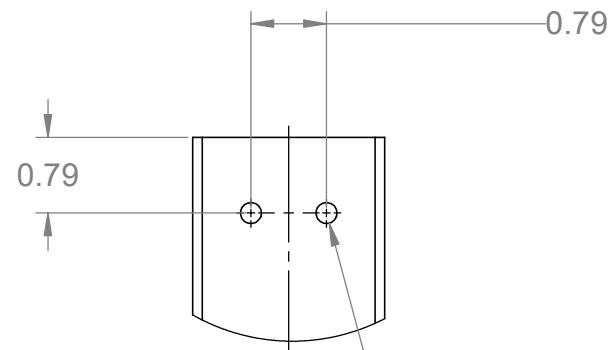
- 10. POWDERCOAT ALL EXTERIOR SURFACES TO INDUSTRY STANDARD CLASS B. CARDINAL POWDERCOAT COLOR CALLOUT PER TABLE BELOW:

PART NUMBER	POWDERCOAT COLOR
CPXX-XXXX-X-BLK	T002-BK08
CPXX-XXXX-X-WH	T009-WH11
CPXX-XXXX-X-BR	T291-BR251
CPXX-XXXX-X-GR	T353-GR06
CPXX-XXXX-X-RAW	NO FINISH

REVISIONS		
REV.	DESCRIPTION	DATE
B	UPDATE BASEPLATE HOLE LOCATION TO 3.33IN	5/19/2022
C	UPDATE MATERIAL AND FINISH NOTES	9/29/2022

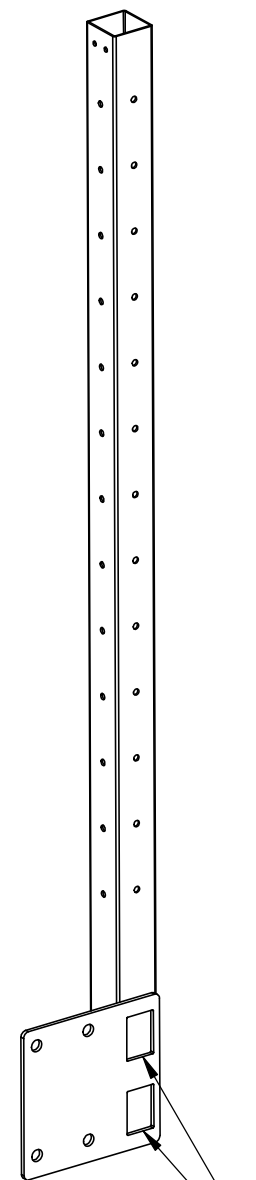
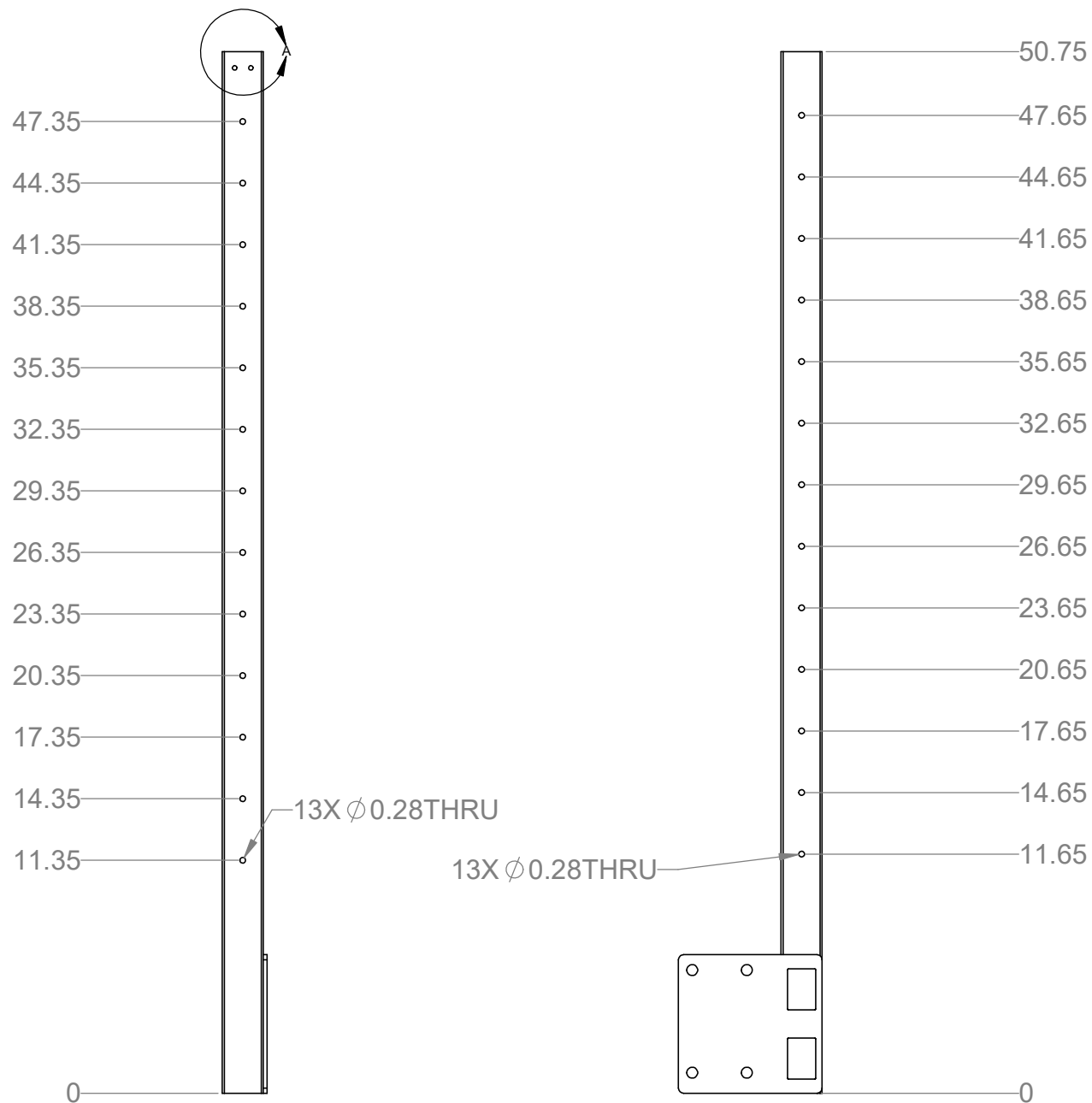


BASEPLATE DETAIL



DETAIL A SCALE 1:1

2X Ø0.22 THRU ONE WALL ONLY



WELD PLATE TO POST USING THESE WINDOWS

TITLE: CP20-0077	
DESCRIPTION: 42" WELDED FASCIA, CORNER, BLACK	
SIZE <b>D</b>	REV <b>C</b>
CITYPOST AND RAIL SHEET 1 OF 1	

