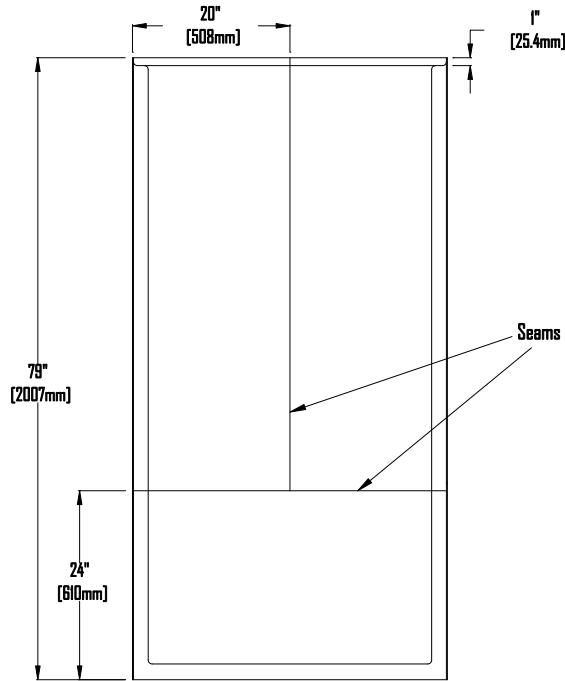
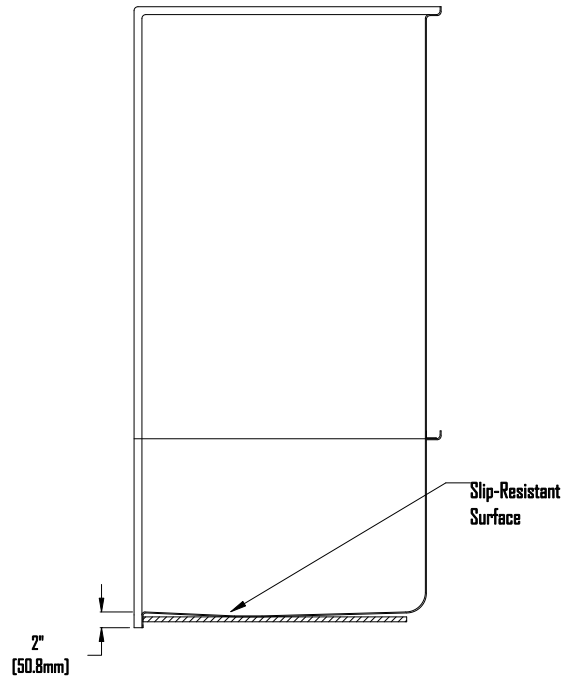


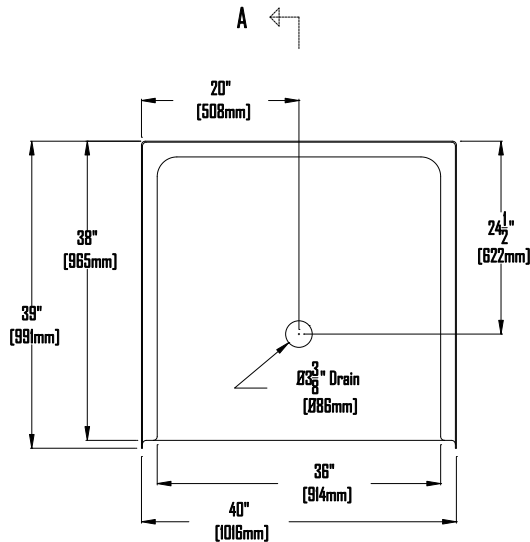
# CLARION BATHWARE



ELEVATION



SECTION "A - A"



PLAN

40" (1016mm) Barrier-Free Shower  
with 2" (50.8mm) Threshold

## Specifications:

- \* Barrier-free installation requires a 1 1/2" (38.1mm) recess
- \* Units comply with ADAAG, HUD UM-73A and ANSI-Z124.2
- \* Wood reinforced floor
- \* 1" (25.4mm) nailing flange
- \* Door Opening: W-36" (914mm) H-75" (1905mm)
- \* Shower Floor: W-36" (914mm) D-36" (914mm)
- \* All dimensions +/- 1/4" (6.35mm)
- \* Clarion Bathware reserves the right to change design and/ or dimensions
- \* Dimensions are the same for RE, RG, MP, and CU versions of this model

Model 3940BFD

3-Piece Barrier-Free Shower



Shippenville, Pa. 16254  
Phone: 814-226-5374  
Fax: 814-226-0730  
www.clarionbathware.com

Dwg. by: DJC

Engr. Ckd. by: BAM

Signature For Approval:

Date:

Customer: \_\_\_\_\_  
Arch./Engr: \_\_\_\_\_  
Contractor: \_\_\_\_\_  
Cla. Engr: \_\_\_\_\_