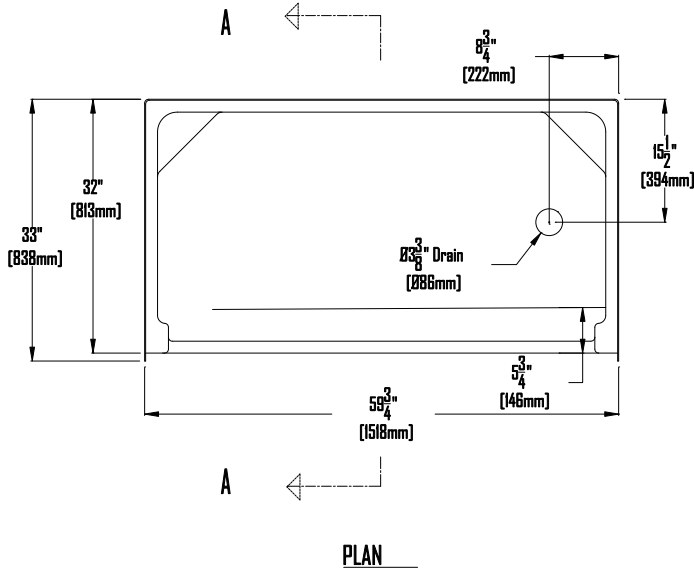
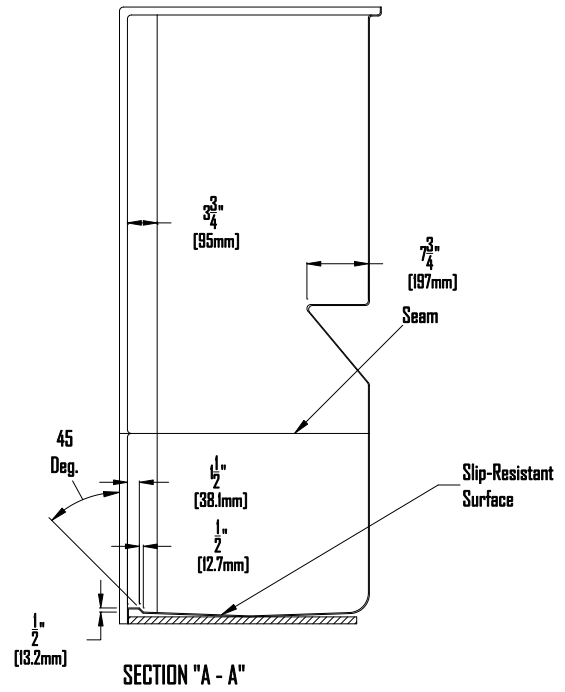
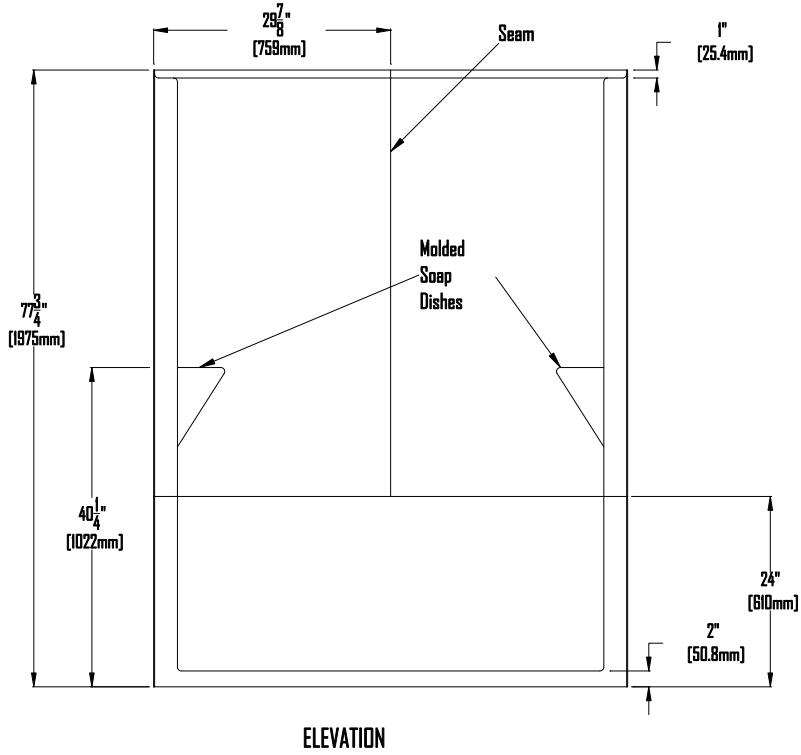


CLARION BATHWARE



3-Piece Barrier-Free Shower

Right Hand Version (6032RBF) Shown

Specifications:

- * Barrier free installation requires a 2" (50.8mm) recess.
- * Units comply with NAHB, HUD UM73-A, and ANSI-Z124.2
- * Wood reinforced floor
- * Slip resistant floor
- * 1" (25.4mm) nailing flange
- * Cannot accept a door
- * All dimensions +/- 1/4" (6.35mm)
- * Clarion Bathware reserves the right to change design and/ or dimensions
- * Dimensions are the same for RE, RG, MP, and CU versions of this model

Model 6032LBF/RBF

Left Or Right Hand Drain

Signature For Approval:

Date:

Customer: _____
 Arch./Engr: _____
 Contractor: _____
 Cla. Engr: _____

Shipperville, Pa. 16254
 Phone: 814-226-5374
 Fax: 814-226-0730
 www.clarionbathware.com

Dwg. by: DJC

Engr. Ckd. by: BAM