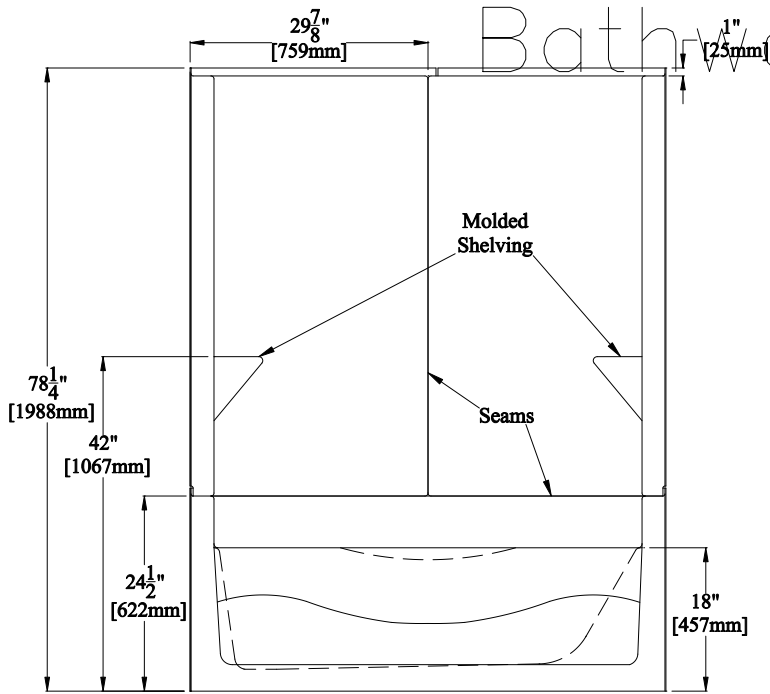
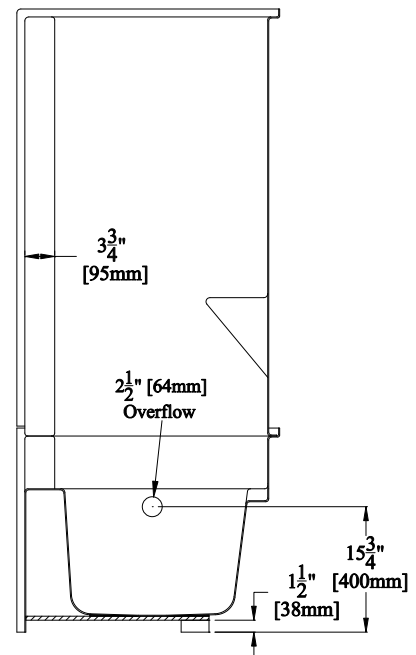


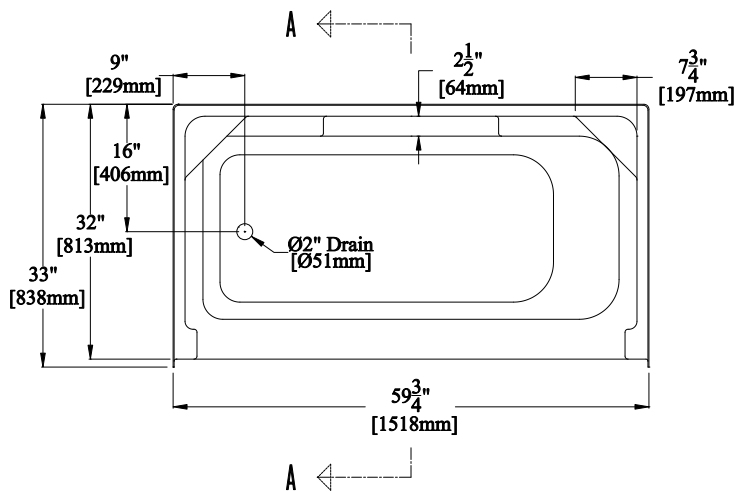
Clarion Bathware



ELEVATION



SECTION "A-A"



PLAN

59 3/4" [1518mm] 3-Piece Tub/Shower

Left Hand Version (6032L) Shown

PRODUCT SPECIFICATIONS:

- * Product complies with NAHB, HUD UM-73A, and ANSI-Z124.1.
- * Wood reinforced & slip resistant floor.
- * Integral 1" [25mm] nailing flange.
- * Factory drilled 2 1/2" [64mm] overflow.
- * Door Opening: W-53 3/4" [1365mm] H-58 3/4" [1492mm]
- * Bathwell Dimensions (At Top): W-52 1/2" [1334mm] D-23" [584mm] H-16 1/4" [413mm]
- * Bathwell Dimensions (At Bottom): W-42" [1067mm] D-18 3/4" [476mm]
- * Bathwell Capacity (At Overflow): 45 Gallons [170L]
- * Water Level (At Overflow): 12 3/4" [324mm]
- * This unit is available without an overflow (Model 6032LM or 6032RM).
- * This unit is available with a removable access panel. (Model 6032LA or 6032RA)
- * All dimensions +/- 1/4" [6.4mm]
- * Clarion Bathware reserves the right to change design and/or dimensions.
- * Dimensions are the same for RE, RS, MP, CU, and all other versions of this model.

Model 6032L or 6032R

59 3/4" [1518mm] 3-Piece Tub/Shower with Left or Right Hand Drain

Clarion
BATHWARE

44 Anslor Ave.
Shippenville, PA 16254

Toll Free: (800) 576-9228
Fax: (814) 226-0730
www.clarionbathware.com

Signatures For Approval:

Customer: _____
Arch./Engr: _____
Contractor: _____
Cla. Engr: _____

Date: _____

Dwg. Name:
6032Lor6032R
-CUT

Dwg. By: DJC
DATE: 3/21/07