

NOTES: UNLESS OTHERWISE SPECIFIED

1. DIMENSIONS ARE IN INCHES (mm).

Features:

1. Clear Tempered Safety Glass
2. Stainless Steel Flush Mount Hinge
3. Stainless Steel Door Frame
4. Latch, Compression, Overcenter Lever - Stainless Steel

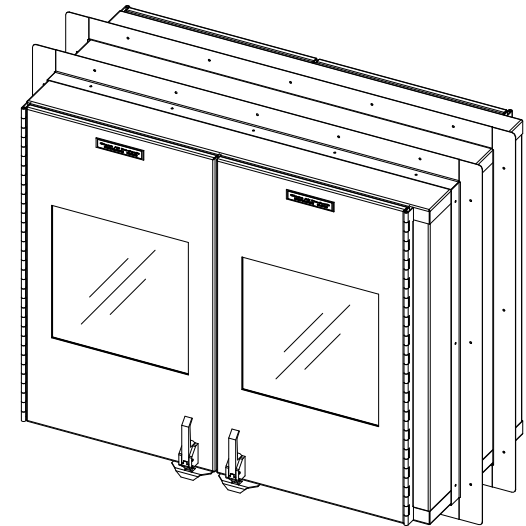
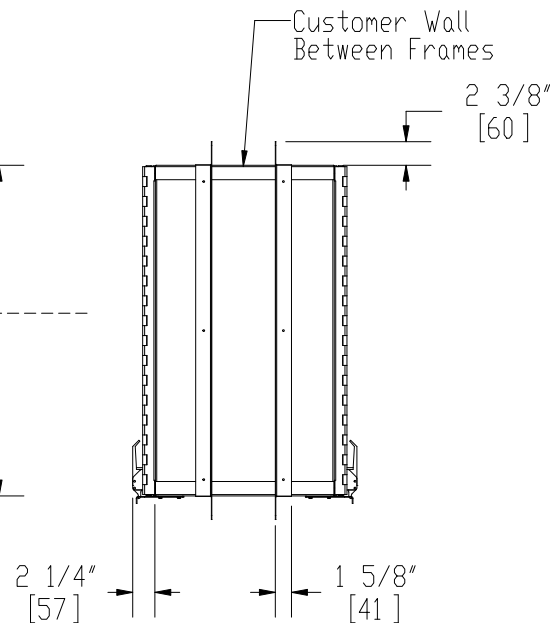
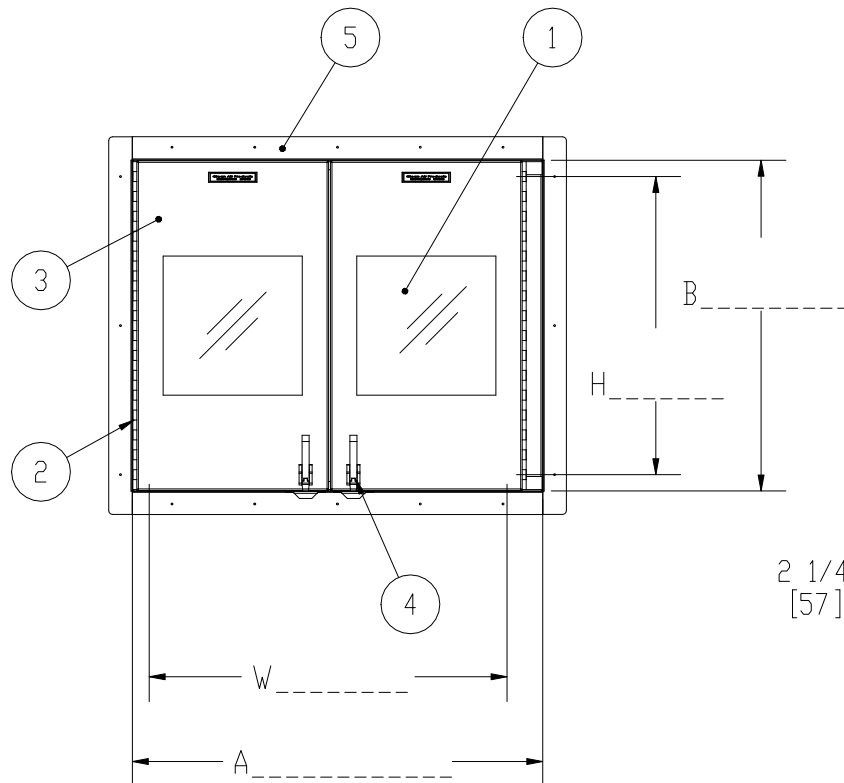
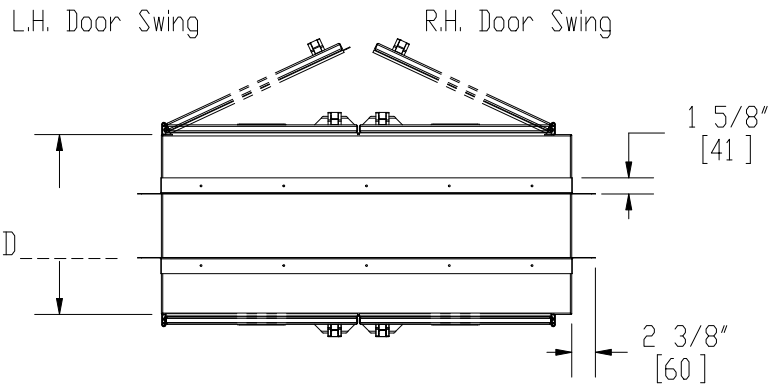
Options Shown:

5. 8 Pc. Stainless Steel Mounting Frame

Notes:

1. Wall Cutout is $\frac{W}{A} \times \frac{H}{B}$
([A]+ 1/2" x [B]+ 1/2")
2. Material: Stainless Steel, Type 304, #4 Finish
3. Electrical Requirements: None

W = Inside Width
 H = Inside Height
 D = Depth
 A = W + 3 3/8"
 B = H + 6 1/4"



Note:
 Interlocking and non-interlocking units have the same exterior dimensions unless noted

© COPYRIGHT 2010 CLEAN AIR PRODUCTS	Clean Air PRODUCTS 8605 WYOMING AVENUE NORTH • MINNEAPOLIS, MN 55445 800-423-9728 • ph: 763-425-9122 • fax: 763-425-2004 www.cleanairproducts.com			
	DESCRIPTION: Pass Thru - Wall Mount, Stainless Steel - CAP18WDD-SST- _____ Wx _____ Hx _____ D			
	QUOTE NO. _____			
DO NOT SCALE	DATE DRAWN 02/07/2011	QUOTE FORM 015851	REV 1	SHEET 1 of 2