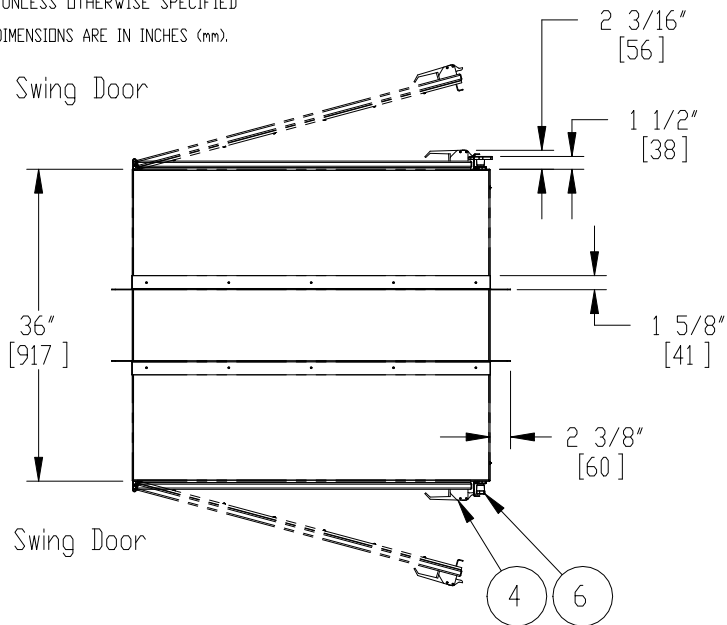


NOTES: UNLESS OTHERWISE SPECIFIED

1. DIMENSIONS ARE IN INCHES (mm).

L.H. Swing Door

R.H. Swing Door



Features:

1. Clear Tempered Safety Glass
2. Stainless Steel Flush Mount Hinge
3. Stainless Steel Door Frame
4. Latch, Compression, Overcenter Lever - Chrome Plated

Options Shown:

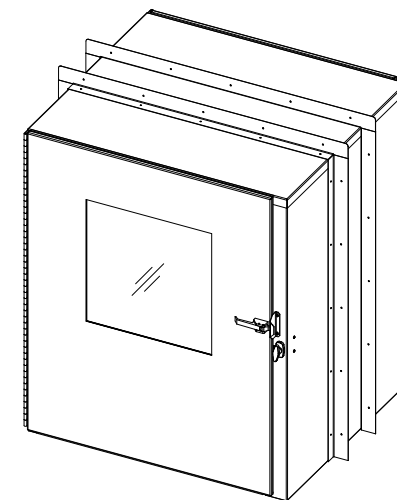
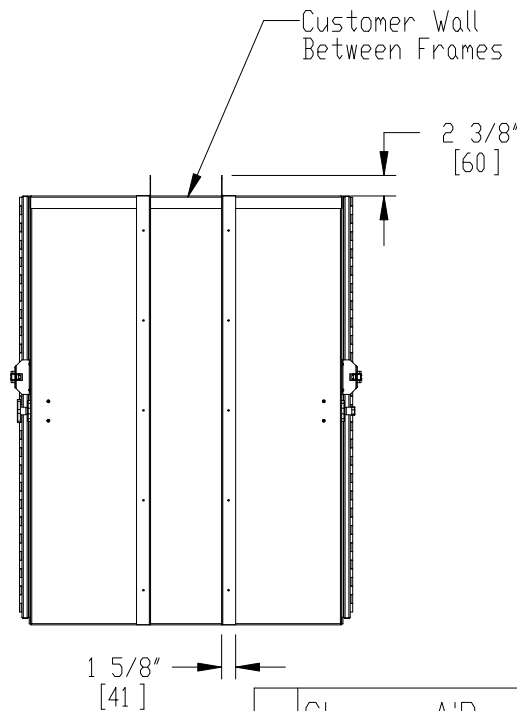
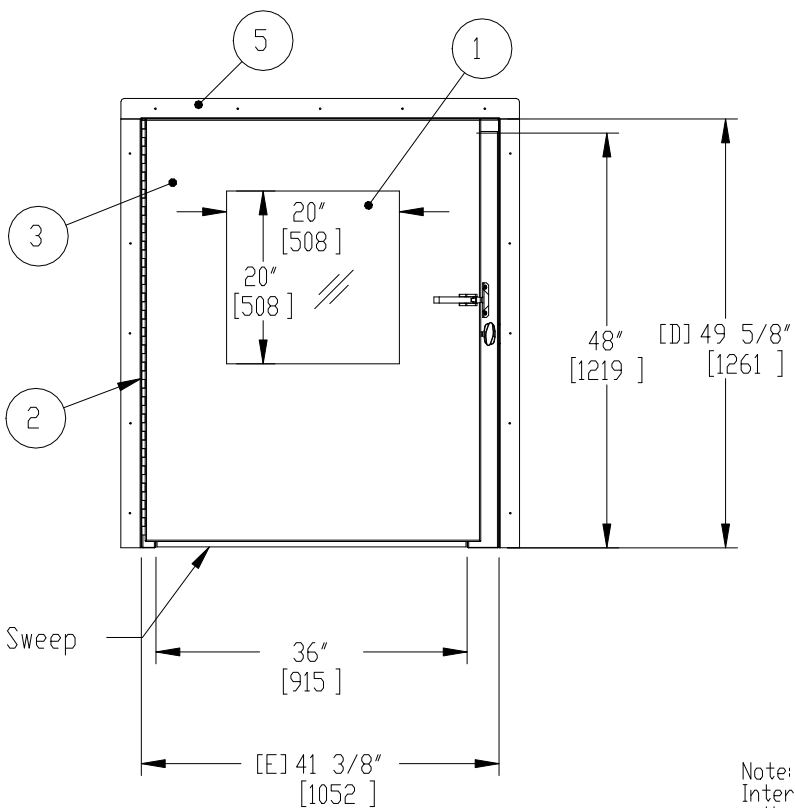
5. 6 Pc. Stainless Steel Mounting Frame
6. Interlock Handle, T, Non-Locking Satin Chrome

Notes:

1. Wall Cutout is $41-7/8" \times 50-1/8"$
([E] + 1/2" x [D] + 1/2")
2. Material: Stainless Steel, Type 304, #4 Finish
3. Electrical Requirements: None

Pass Thru Operation - One Hand :

Turn Interlock Handle (6) to Operate Interlock
Pull Door Latch Handle (4) to open door



Door Sweep

Note:
Interlocking and non-interlocking units have the same exterior dimensions unless noted

© COPYRIGHT 2010 CLEAN AIR PRODUCTS	Clean Air PRODUCTS 8605 WYOMING AVENUE NORTH • MINNEAPOLIS, MN 55445 800-423-9728 • ph: 763-425-9122 • fax: 763-425-2004 www.cleanairproducts.com			
	DESCRIPTION. Pass Thru - Floor Mount, Stainless Steel - CAP18F-SST-36Wx48Hx36D			
	QUOTE NO.			
DO NOT SCALE	DATE DRAWN 08/09/2010	QUOTE FORM 010249	REV 1	SHEET 1 of 2