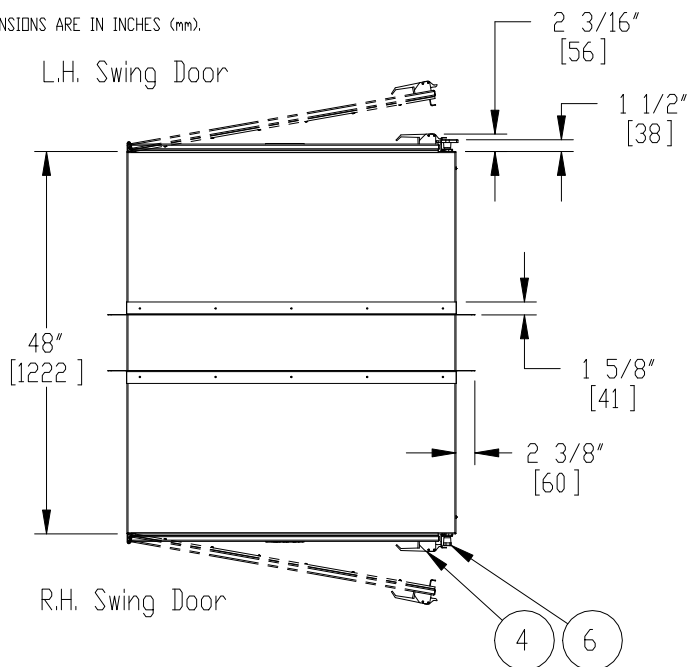


NOTES: UNLESS OTHERWISE SPECIFIED

1. DIMENSIONS ARE IN INCHES (mm).



Features:

1. Clear Tempered Safety Glass
2. Stainless Steel Flush Mount Hinge
3. Stainless Steel Door Frame
4. Latch, Compression, Overcenter Lever - Chrome Plated

Options Shown:

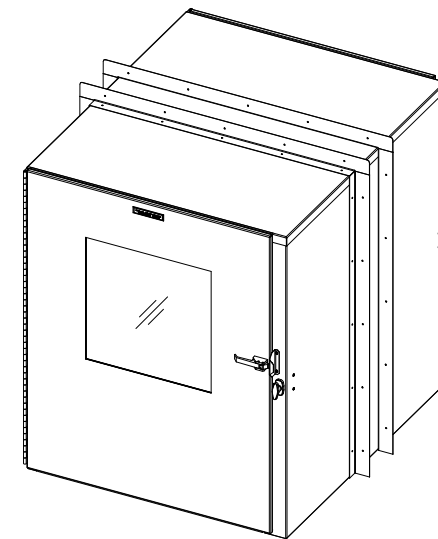
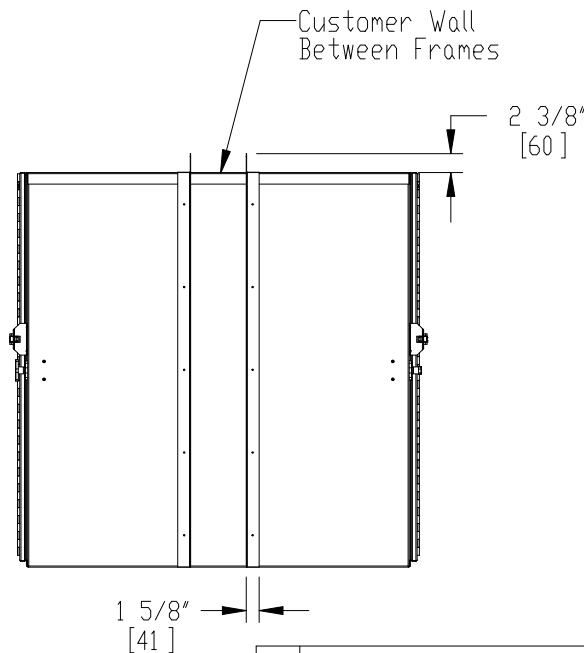
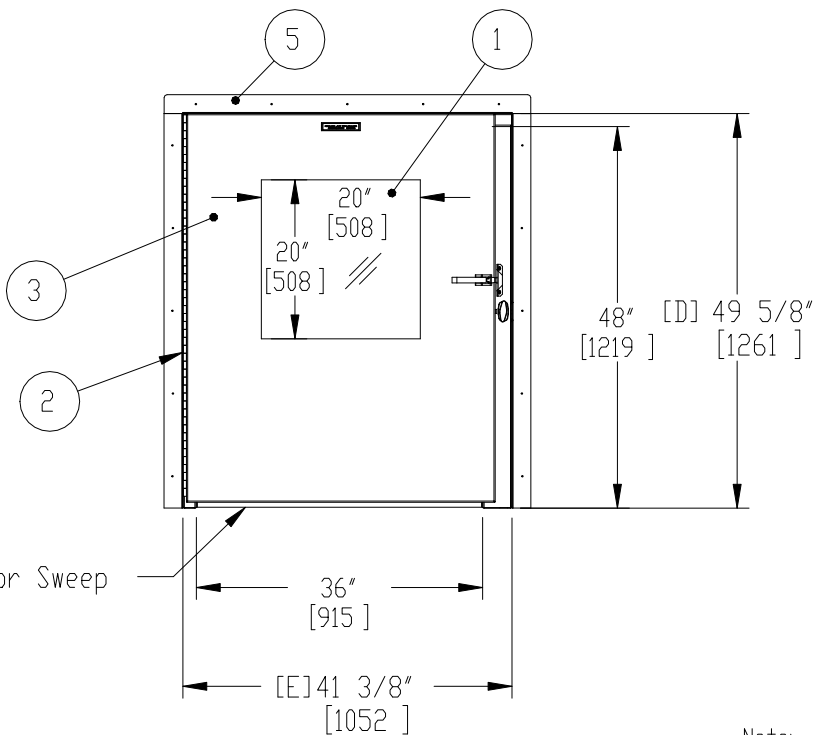
5. 6 Pc. Stainless Steel Mounting Frame
6. Interlock Handle, T, Non-Locking Satin Chrome

Notes:

1. Wall Cutout is 41-7/8" x 50-1/8"  
( [E]+ 1/2" x [D]+ 1/2" )
2. Material: Stainless Steel, Type 304, #4 Finish
3. Electrical Requirements: None

Pass Thru Operation - One Hand :

Turn Interlock Handle (6) to Operate Interlock  
Pull Door Latch Handle (4) to open door



Note:  
Interlocking and non-interlocking units have the same exterior dimensions unless noted

|  |  |                   |       |              |
|--|--|-------------------|-------|--------------|
| © COPYRIGHT 2010<br>CLEAN AIR PRODUCTS | Clean Air PRODUCTS<br>8605 WYOMING AVENUE NORTH • MINNEAPOLIS, MN 55445<br>800-423-9728 • ph: 763-425-9122 • fax: 763-425-2004<br>www.cleanairproducts.com |                   |       |              |
|  | DESCRIPTION. Pass Thru - Floor Mount, Stainless Steel - CAP18F-SST-36Wx48Hx48D   |                   |       |              |
|  | QUOTE NO.  |                   |       |              |
| DO NOT SCALE                           | DATE DRAWN 08/09/2010  | QUOTE FORM 010254 | REV 1 | SHEET 1 of 2 |