

NOTES: UNLESS OTHERWISE SPECIFIED

1. DIMENSIONS ARE IN INCHES (mm).

Features:

1. Clear Tempered Safety Glass
2. Stainless Steel Flush Mount Hinge
3. Stainless Steel Door Frame
4. Dual Lever Compression Door Latch With Linkage Bar, Stainless Steel

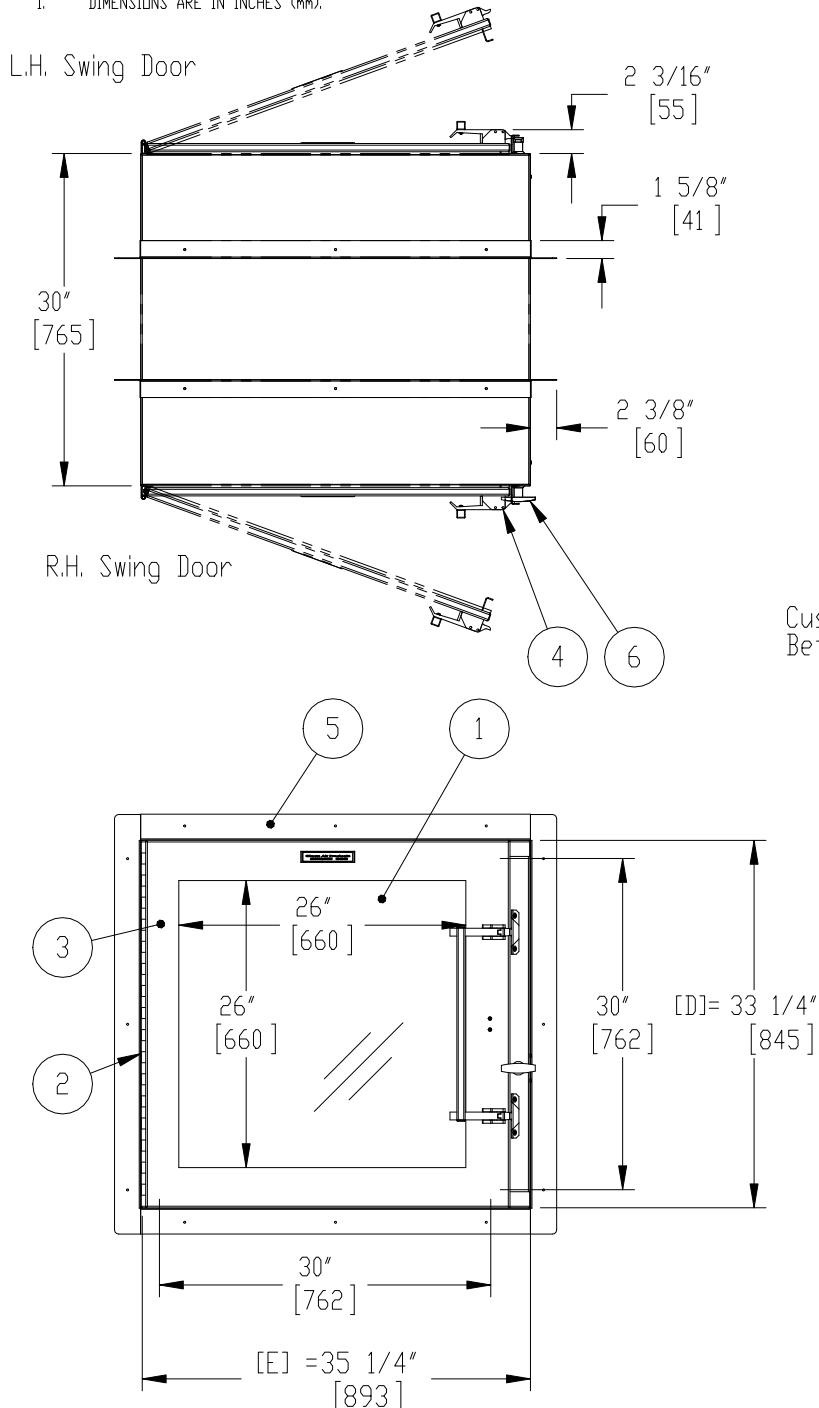
Options Shown:

5. 8 Pc. Stainless Steel Mounting Frame
6. Interlock Handle, T, Non-Locking Stainless Steel

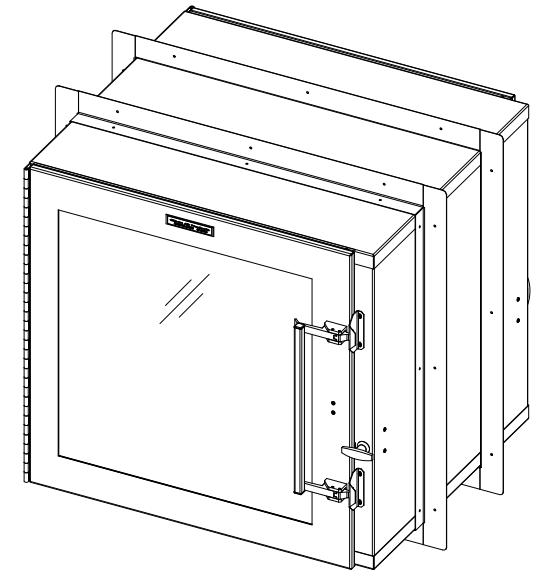
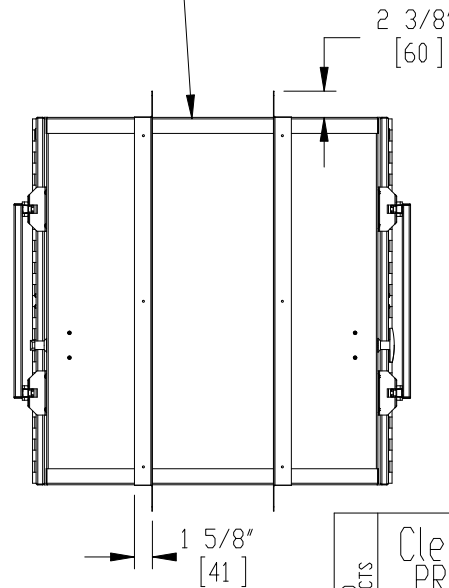
Notes:

1. Wall Cutout is $35\text{-}3/4" \times 33\text{-}3/4"$
([E]+ 1/2" x [D]+ 1/2")
2. Material: Stainless Steel, Type 304, #4 Finish
3. Electrical Requirements: None

Pass Thru Operation - One Hand :
Turn Interlock Handle (6) to
Operate Interlock
Pull Door Latch (4) to open door



Customer Wall
Between Frames



Note:
Interlocking and non-interlocking units have the same exterior dimensions unless noted

| | | | | |
|--|--|----------------------|----------|-----------------|
| © COPYRIGHT 2010 CLEAN AIR PRODUCTS | Clean Air PRODUCTS 8605 WYOMING AVENUE NORTH • MINNEAPOLIS, MN 55445 800-423-9728 • ph: 763-425-9122 • fax: 763-425-2004 www.cleanairproducts.com | | | |
| | DESCRIPTION: Pass Thru - Wall Mount, Stainless Steel - CAP18W-SST-30Wx30Hx30D | | | |
| | QUOTE NO. | | | |
| DO NOT SCALE | DATE DRAWN 08/06/2010 | QUOTE FORM 050153 | REV 1 | SHEET 1 of 2 |