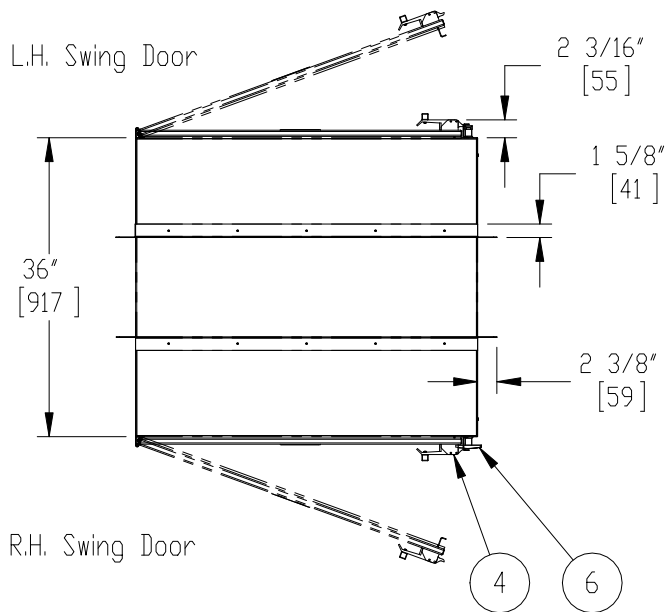


NOTES: UNLESS OTHERWISE SPECIFIED

1. DIMENSIONS ARE IN INCHES (mm).



Features:

1. Clear Tempered Safety Glass
2. Stainless Steel Flush Mount Hinge
3. Stainless Steel Door Frame
4. Dual Lever Compression Door Latch With Linkage Bar, Stainless Steel

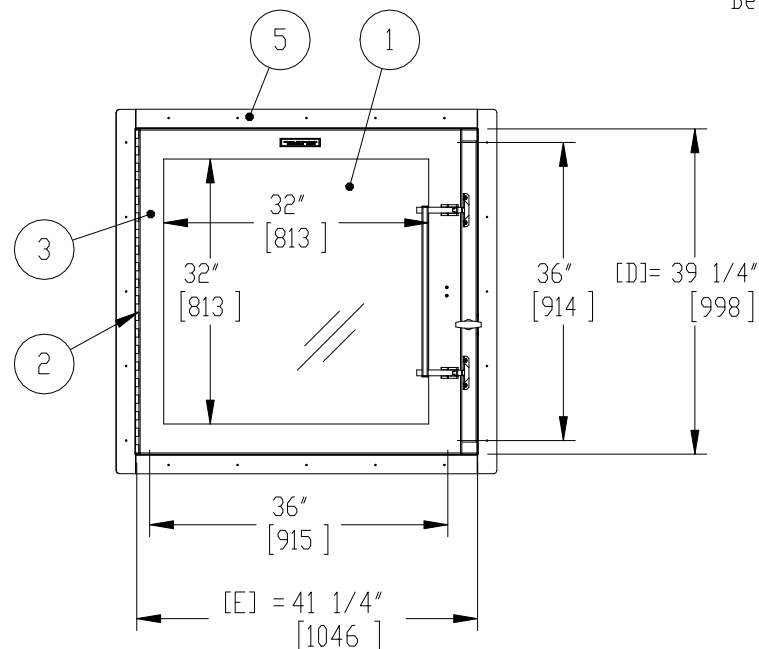
Options Shown:

5. 8 Pc. Stainless Steel Mounting Frame
6. Interlock Handle, T, Non-Locking Stainless Steel

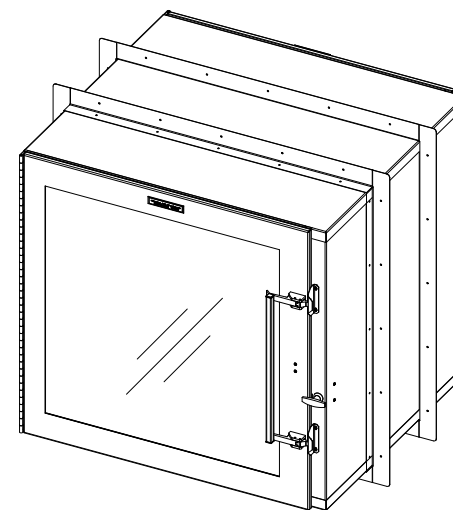
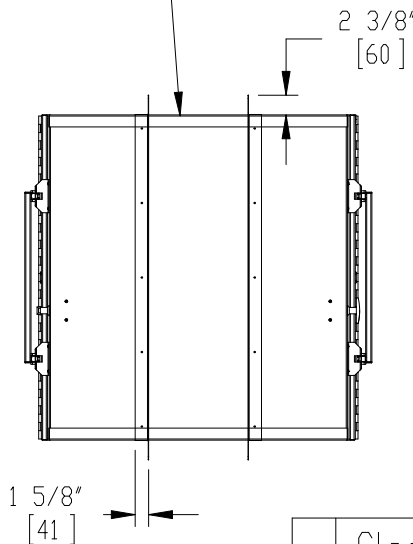
Notes:

1. Wall Cutout is $41-3/4" \times 39-3/4"$
([E]+ 1/2" x [D]+ 1/2")
2. Material: Stainless Steel, Type 304, #4 Finish
3. Electrical Requirements: None

Pass Thru Operation - One Hand :
Turn Interlock Handle (6) to
Operate Interlock
Pull Door Latch (4) to open door



Customer Wall
Between Frames



Note:
Interlocking and non-interlocking
units have the same exterior
dimensions unless noted

© COPYRIGHT 2010 CLEAN AIR PRODUCTS	Clean Air PRODUCTS	8605 WYOMING AVENUE NORTH	MINNEAPOLIS, MN 55445
		800-423-9728	ph: 763-425-9122
			fax: 763-425-2004
DESCRIPTION: Pass Thru - Wall Mount, Stainless Steel - CAP18W-SST-36Wx36Hx36D			
QUOTE NO.			
DO NOT SCALE	DATE DRAWN 08/06/2010	QUOTE FORM 050155	REV 1
			SHEET 1 of 2