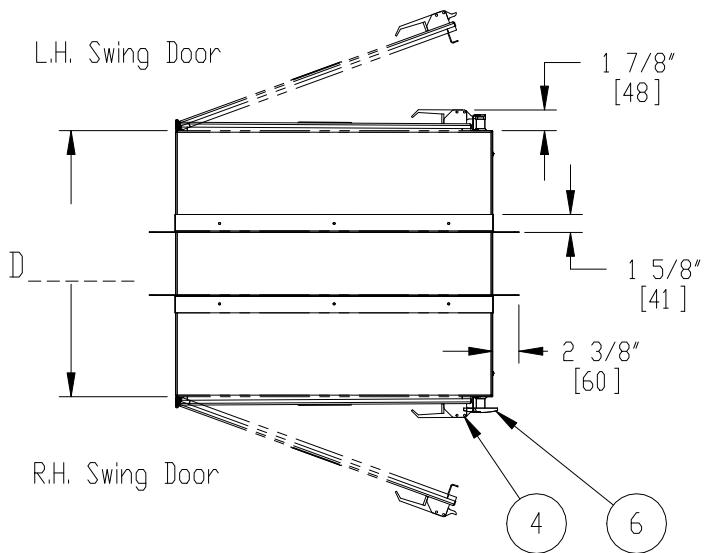


NOTES: UNLESS OTHERWISE SPECIFIED

1. DIMENSIONS ARE IN INCHES (mm).



Features:

1. Clear Tempered Safety Glass
2. Stainless Steel Flush Mount Hinge
3. Stainless Steel Door Frame
4. Lever Compression Door Latch, Stainless Steel

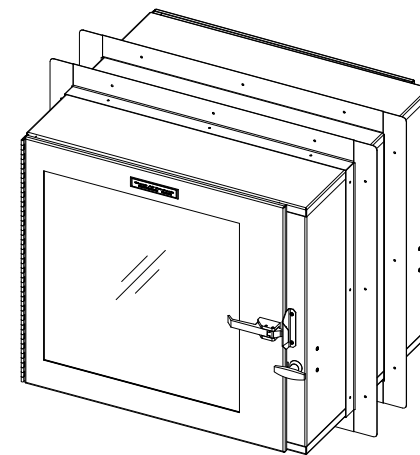
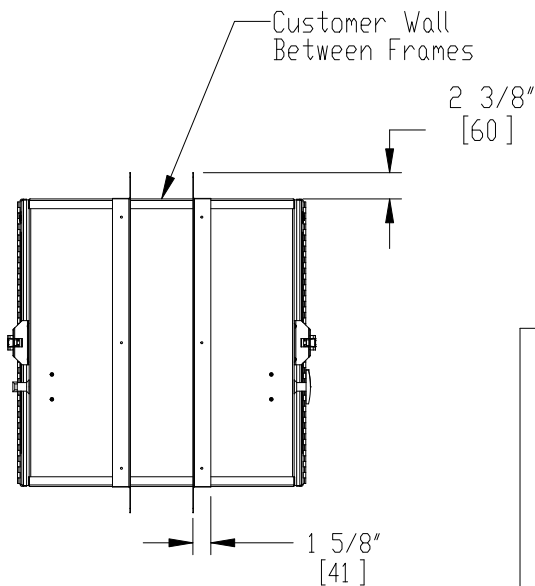
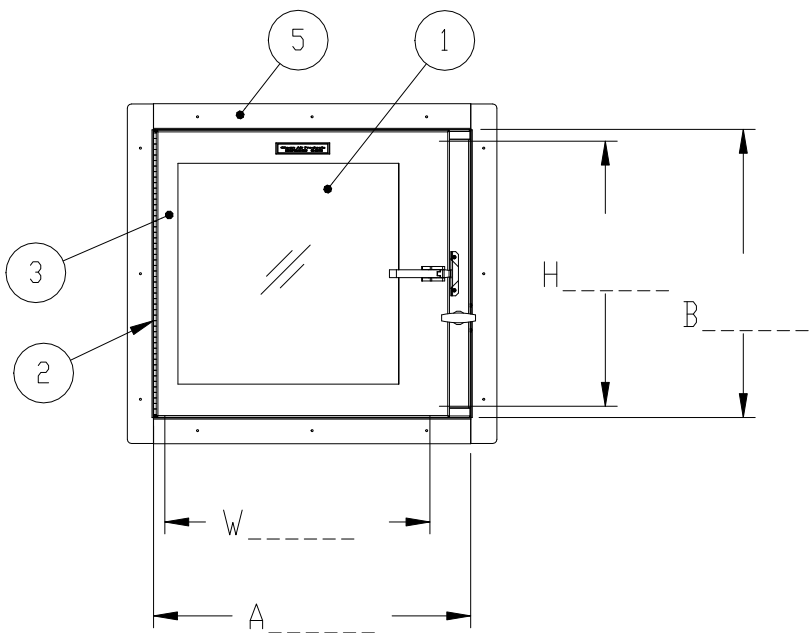
Options Shown:

5. 8 Pc. Stainless Steel Mounting Frame
6. Interlock Handle, T, Non-Locking Stainless Steel

Notes:

1. Wall Cutout is $\frac{A}{(A) + \frac{1}{2}"} \times \frac{B}{(B) + \frac{1}{2}"} \times$
2. Material: Stainless Steel, Type 304, #4 Finish
3. Electrical Requirements: None

Pass Thru Operation - One Hand :
 Turn Interlock Handle (6) to
 Operate Interlock
 Pull Door Latch (4) to open door



W = Inside Width
 H = Inside Height
 D = Depth
 A = W + 4 3/4"
 B = H + 2"
 If dimensions A or B are 26" or greater see Quote Form 050157

Note:
 Interlocking and non-interlocking units have the same exterior dimensions unless noted

© COPYRIGHT 2010 CLEAN AIR PRODUCTS	Clean Air PRODUCTS	8605 WYOMING AVENUE NORTH • MINNEAPOLIS, MN 55445 800-423-9728 • ph: 763-425-9122 • fax: 763-425-2004 www.cleanairproducts.com
	DESCRIPTION: Pass Thru - Wall Mount, Stainless Steel - CAP18W-SST-_____ Wx_____ Hx_____ D	
QUOTE NO. _____		
DO NOT SCALE	DATE DRAWN 10/14/2010	QUOTE FORM 050156
	REV 1	SHEET 1 of 2