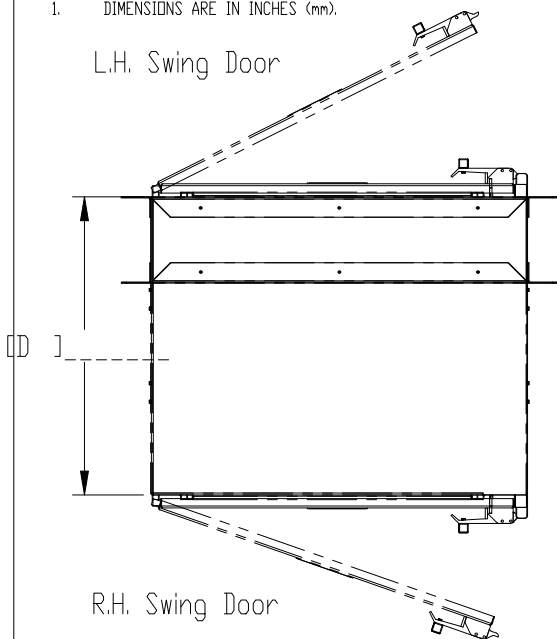


NOTES: UNLESS OTHERWISE SPECIFIED

1. DIMENSIONS ARE IN INCHES (mm).

L.H. Swing Door



R.H. Swing Door

Features:

1. Clear Tempered Safety Glass
2. Stainless Steel Lift Off Pin Hinge
3. Stainless Steel Door Frame
4. Chrome Plated Lever Compression Door Latches with Bar Handle
5. Mechanical Interlock (internal)
6. Service Door On Both External Walls

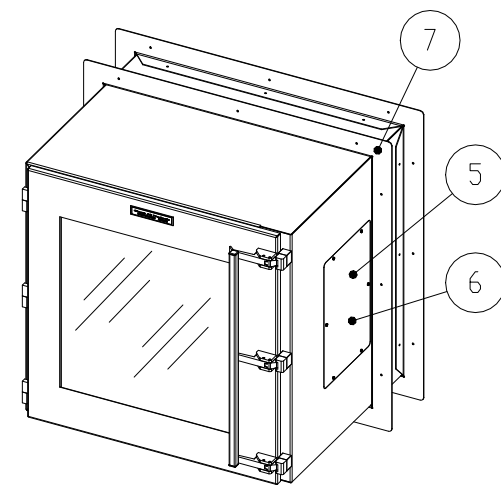
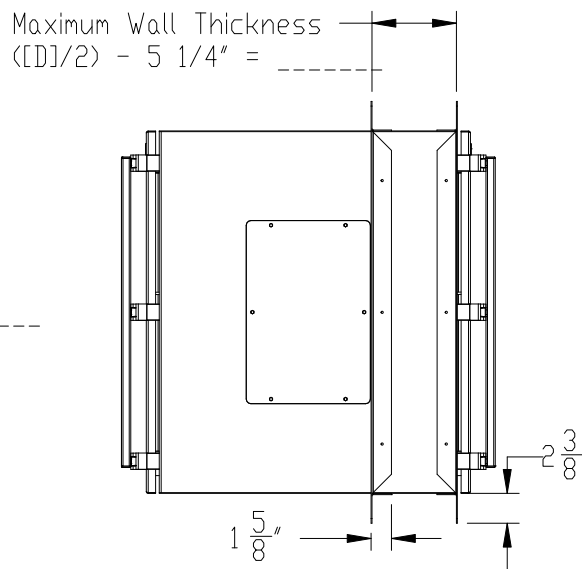
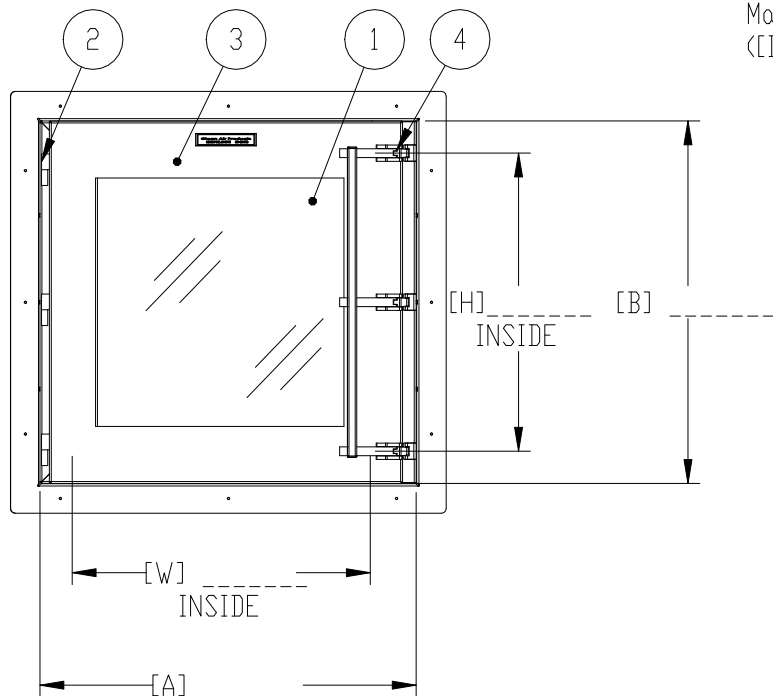
Options Shown:

- 7 One Piece Per Side Stainless Steel Flush-Style Mounting Frame

Notes:

1. Wall Cutout is $\frac{X}{[A] + \frac{1}{2}'' \times [B] + \frac{1}{2}''}$
2. Material: Stainless Steel, Type 304, #4 Finish
3. Electrical Requirements: None

W = Inside Width
 H = Inside Height
 D = Depth
 A = W + 6 9/32"
 B = H + 5 3/16"



© COPYRIGHT 2010 CLEAN AIR PRODUCTS	Clean Air PRODUCTS 8605 WYOMING AVENUE NORTH • MINNEAPOLIS, MN 55445 800-423-9728 • ph: 763-425-9122 • fax: 763-425-2004 www.cleanairproducts.com			
	DESCRIPTION: Pass through - Wall Mount, Stainless Steel - Bio Design CAP18WBD-SST-____Wx____Hx____D			
	QUOTE NO.			
DO NOT SCALE	DATE DRAWN 02/29/2012	QUOTE FORM 029809	REV 1	SHEET 1 of 2