

NOTES: UNLESS OTHERWISE SPECIFIED

1. DIMENSIONS ARE IN INCHES (mm).

Pass Thru Dimensions

W = Inside Width  
 H = Inside Height  
 D = Inside Depth  
 A = W + 3 3/8"  
 B = H + 3 1/4"

Fire Door Dimensions

FW = W + 11"  
 FH = H + 8-3/4"  
 DW = FW - 4"  
 DH = FH - 4"  
 T = Throat Depth (Wall Thickness)

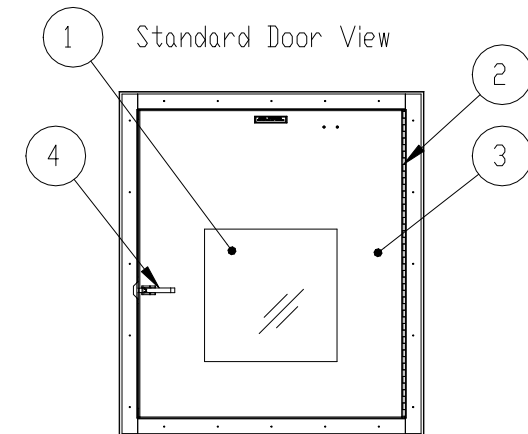
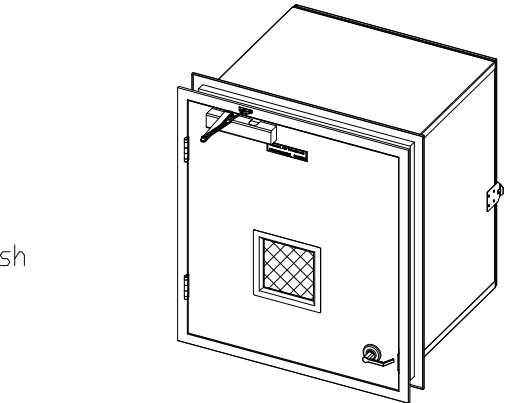
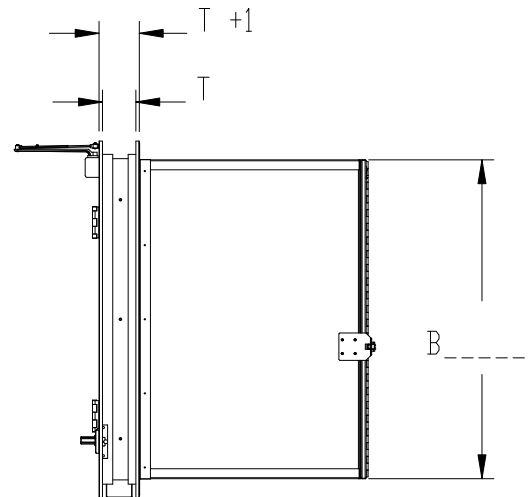
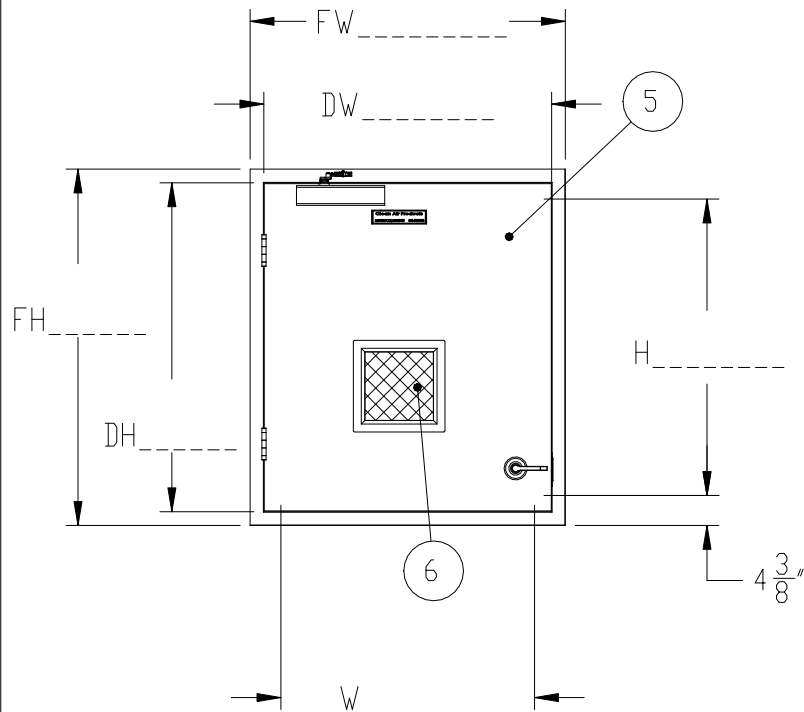
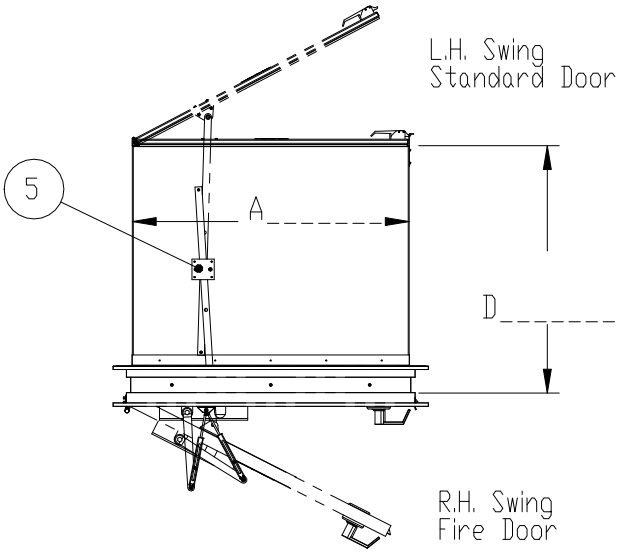
UNITS ARE STRETCHED IN ONE INCH INCREMENTS DUE TO FIRE DOOR CONSTRUCTION

Features:

1. Clear Tempered Safety Glass
2. Stainless Steel Flush Mount Hinge
3. Stainless Steel Door Frame
4. Compression latch, Over Center - Chrome Plated
5. UL Rated Fire Door with Closer
6. Clear Wire Safety Glass

Options Shown:

7. Mechanical Interlock



Notes:

1. Material: Stainless Steel, Type 304, #4 Finish
2. Electrical Requirements: None

Note:  
 Interlocking and non-interlocking units have the same exterior dimensions unless noted

© COPYRIGHT 2010 CLEAN AIR PRODUCTS	Clean Air PRODUCTS		8605 WYOMING AVENUE NORTH • MINNEAPOLIS, MN 55445	
			800-423-9728 • ph: 763-425-9122 • fax: 763-425-2004	
			www.cleanairproducts.com	
	DESCRIPTION. Pass Thru - Wall Mount - Fire Rated, Stainless Steel			
18WFR- R-SST- Wx Hx				
QUOTE NO.				
DO NOT SCALE	DATE DRAWN 02/07/2011	QUOTE FORM 015856	REV 1	SHEET 1 of 2