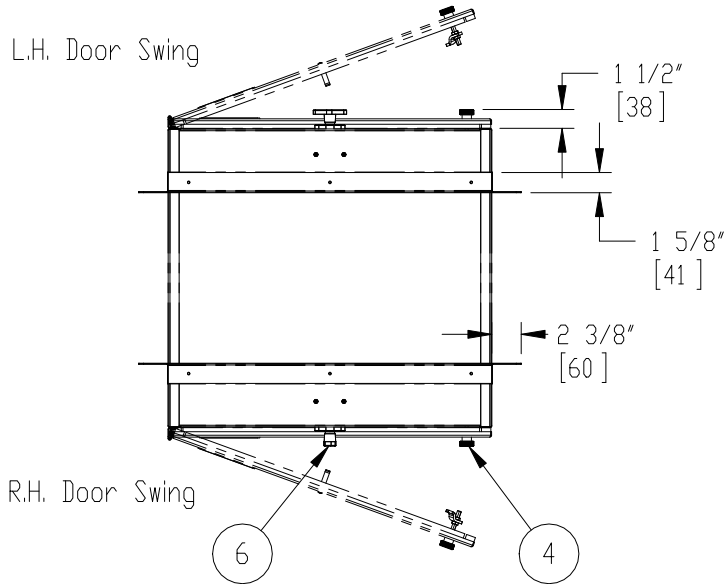


NOTES: UNLESS OTHERWISE SPECIFIED

1. DIMENSIONS ARE IN INCHES (mm).



Features:

1. Clear Tempered Safety Glass
2. Stainless Steel Flush Mount Hinge
3. Stainless Steel Door Frame
4. 90-degree turn latch

Options Shown:

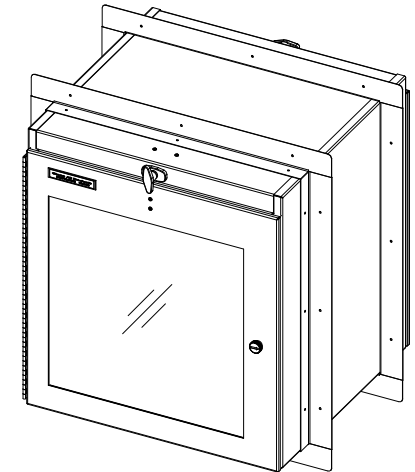
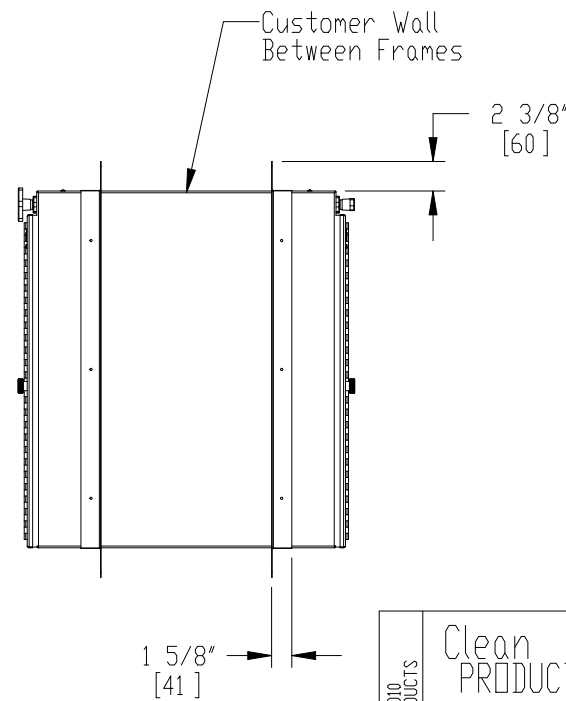
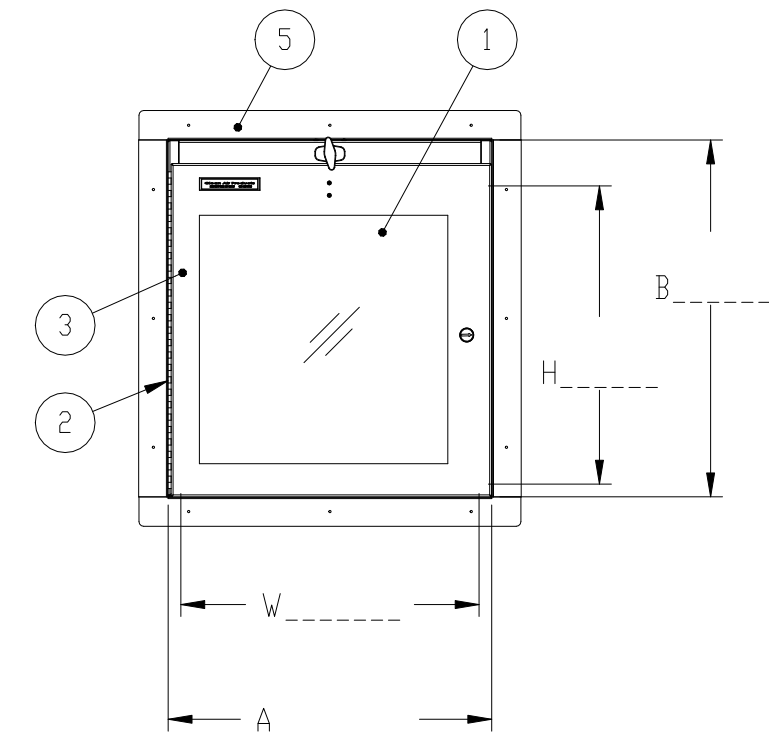
5. 8 Pc. Stainless Steel Mounting Frame
6. Interlock Handle, T, Non-Locking Satin Chrome

Notes:

1. Wall Cutout is $\frac{A}{2} \times \frac{B}{2}$
([A] + 1/2" x [B] + 1/2")
2. Material: Stainless Steel, Type 304, #4 Finish
3. Electrical Requirements: None

Pass Thru Operation - One Hand :

Turn Interlock Handle (6) to Operate Interlock
Turn Door Latch (4) 90 deg. to and pull to open door



W = Inside Width
H = Inside Height
D = Depth
A = W + 2"
B = H + 4 - 3/4"

Note:
Interlocking and non-interlocking units have the same exterior dimensions unless noted

© COPYRIGHT 2010 CLEAN AIR PRODUCTS	Clean Air PRODUCTS 8605 WYOMING AVENUE NORTH • MINNEAPOLIS, MN 55445 800-423-9728 • ph: 763-425-9122 • fax: 763-425-2004 www.cleanairproducts.com			
	DESCRIPTION: Pass Thru - Wall Mount - Top Interlock, Stainless Steel - 18WTI-SST-_____ W x _____ H x _____ D			
	QUOTE NO. _____			
DO NOT SCALE	DATE DRAWN 02/07/2011	QUOTE FORM 015892	REV 1	SHEET 1 of 2