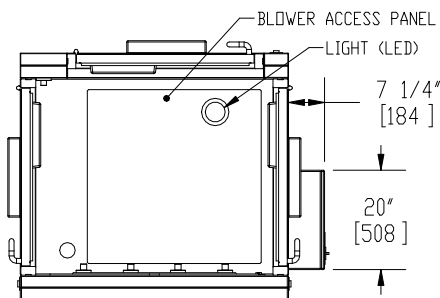
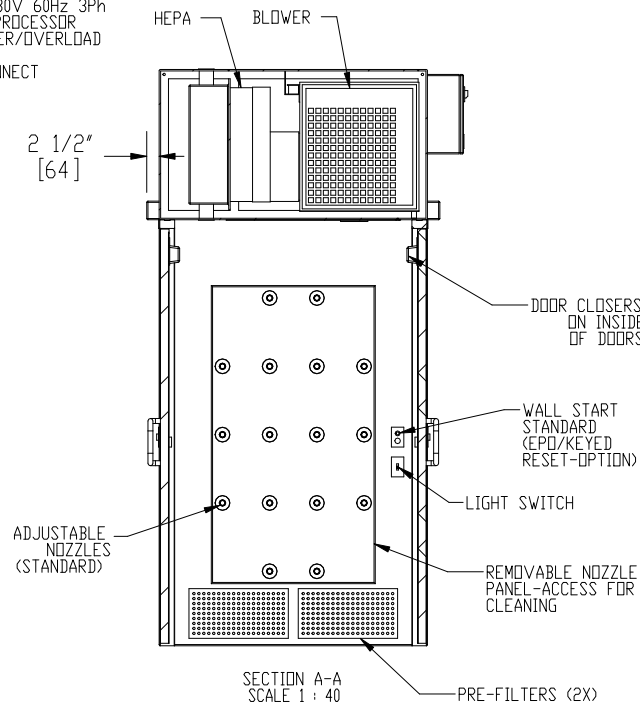
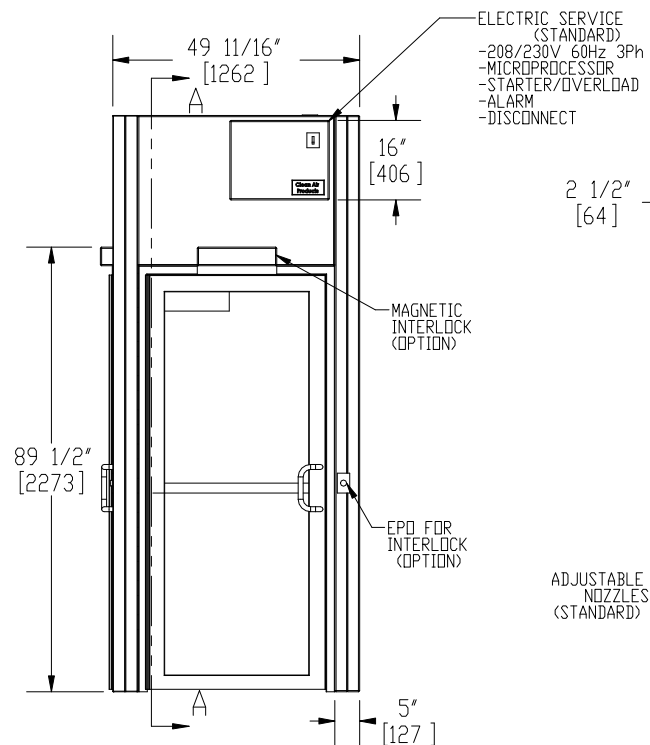
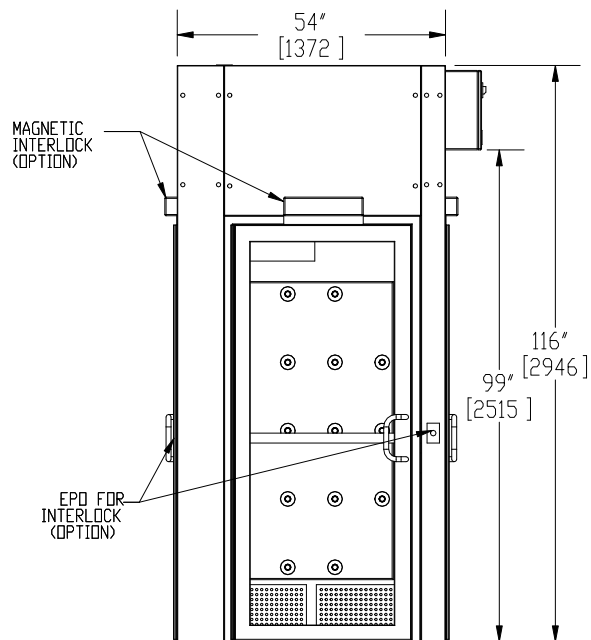
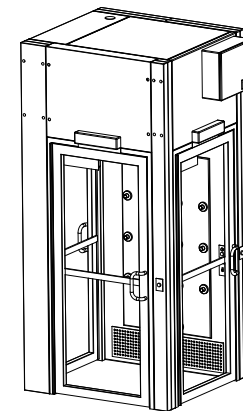
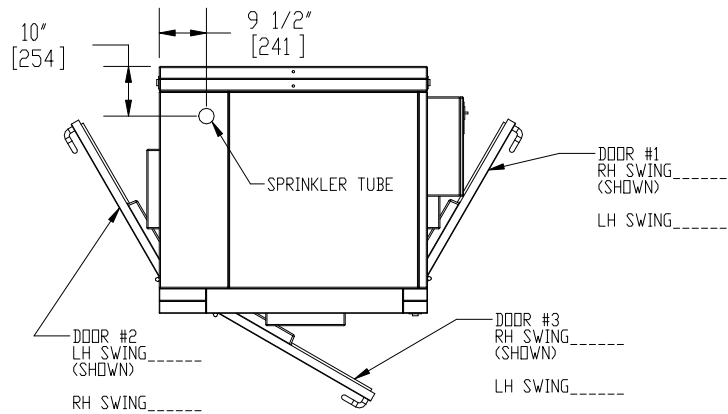


NOTES: UNLESS OTHERWISE SPECIFIED

1. DIMENSIONS ARE IN INCHES (mm).



© COPYRIGHT 2010 CLEAN AIR PRODUCTS	Clean Air PRODUCTS 8605 WYOMING AVENUE NORTH • MINNEAPOLIS, MN 55445 800-423-9728 • ph: 763-425-9122 • fax: 763-425-2004 www.cleanairproducts.com
	DESCRIPTION. Air Shower - 3 Door CAP701KD-3DRH-4954
	QUOTE NO.
	DO NOT SCALE
DATE DRAWN 11/13/2009	QUOTE FORM 004150
REV 2	SHEET 1 of 3