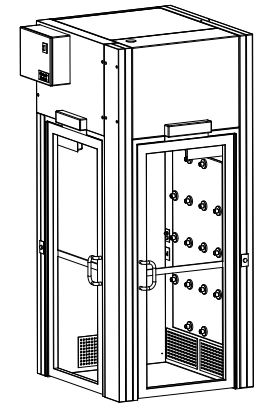
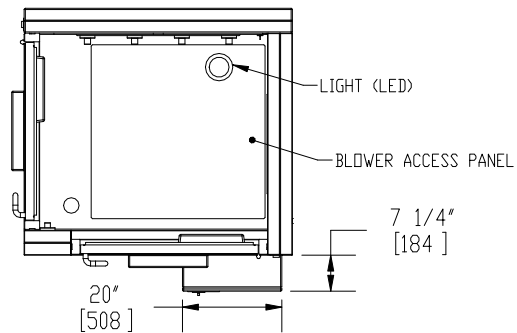
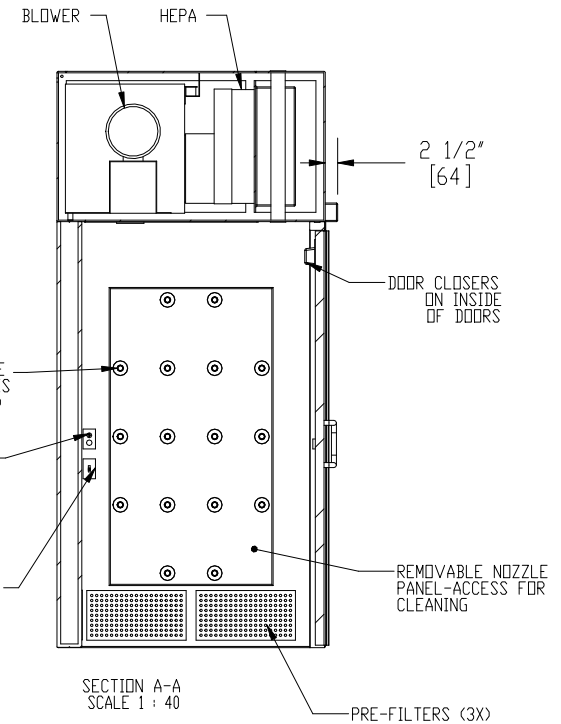
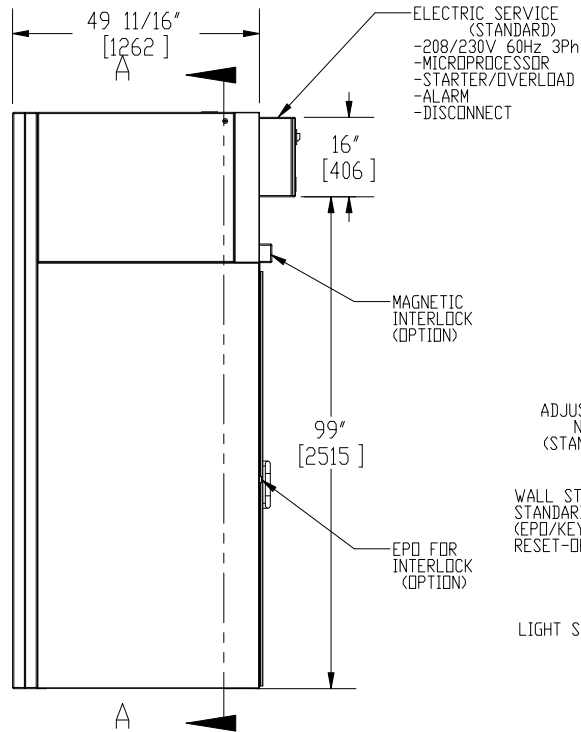
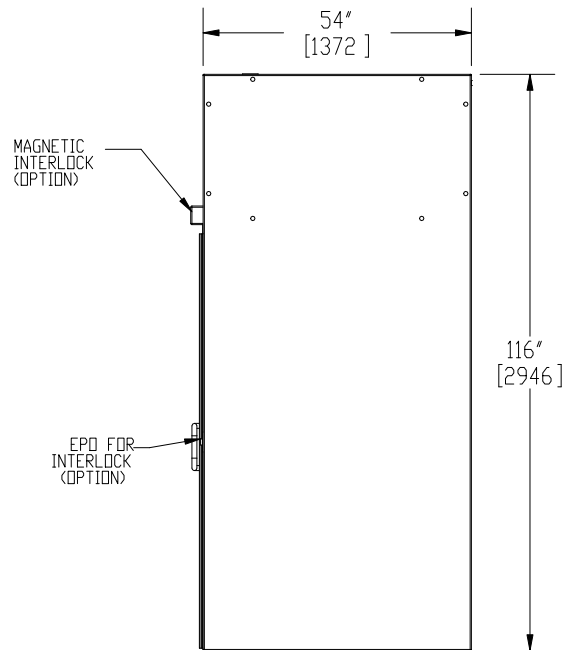
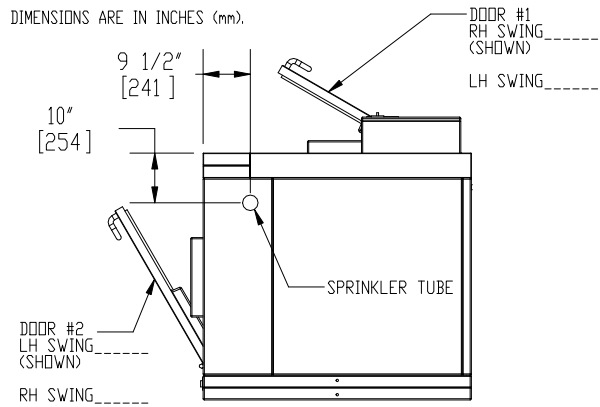


NOTES: UNLESS OTHERWISE SPECIFIED

1. DIMENSIONS ARE IN INCHES (mm).



SECTION A-A  
SCALE 1 : 40

© COPYRIGHT 2010 CLEAN AIR PRODUCTS	Clean Air PRODUCTS	8605 WYOMING AVENUE NORTH 800-423-9728 • ph: 763-425-9122 • fax: 763-425-2004 www.cleanairproducts.com	• MINNEAPOLIS, MN 55445	
	DESCRIPTION.	Air Shower - 90 Degree CAP701KD-LH-4954		
	QUOTE NO.			
DO NOT SCALE	DATE DRAWN 11/13/2009	QUOTE FORM 004149	REV 2	SHEET 1 of 3