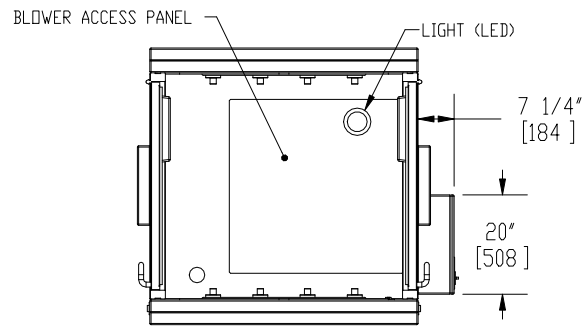
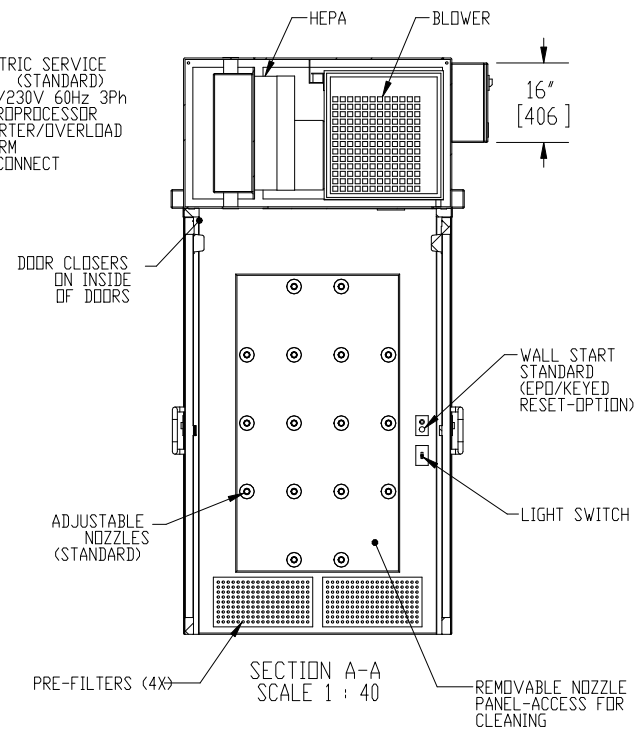
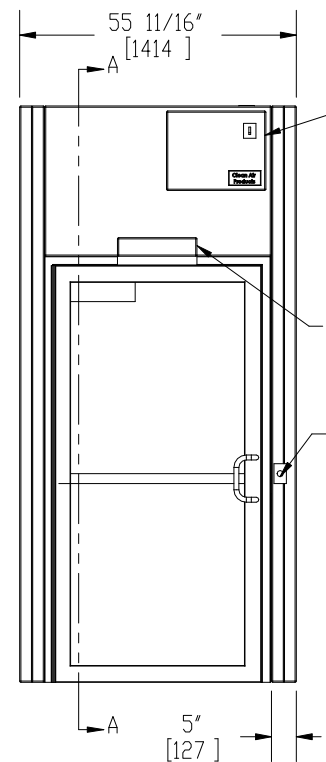
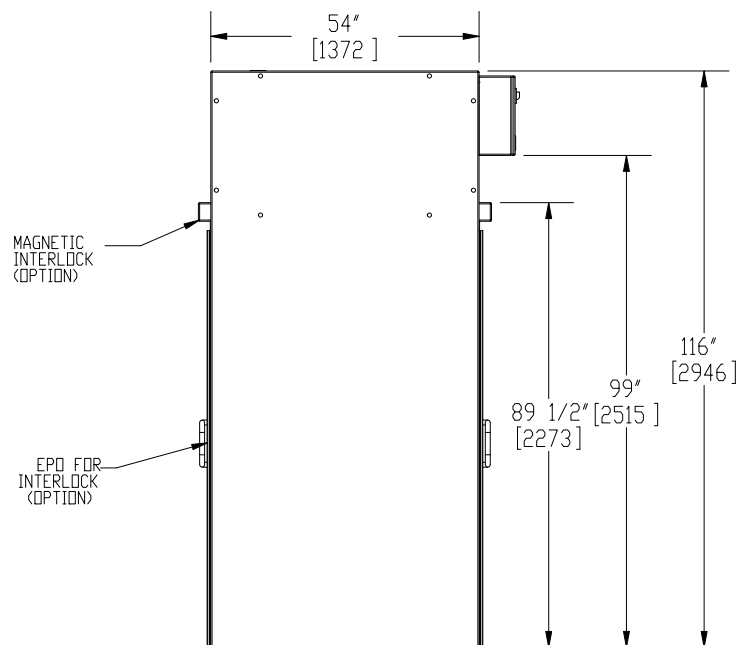
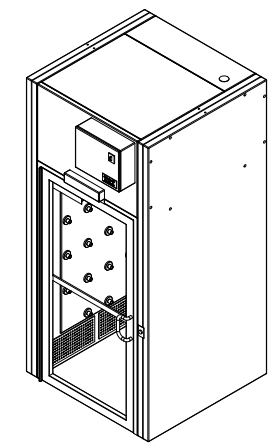
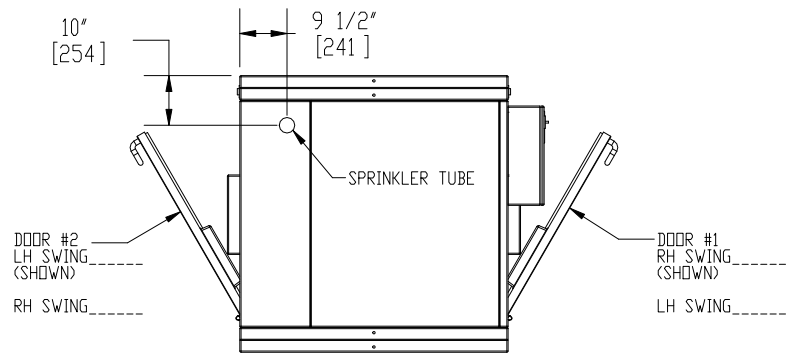


NOTES: UNLESS OTHERWISE SPECIFIED

1. DIMENSIONS ARE IN INCHES (mm).



© COPYRIGHT 2010 CLEAN AIR PRODUCTS	Clean Air PRODUCTS	8605 WYOMING AVENUE NORTH 800-423-9728 • ph: 763-425-9122 • www.cleanairproducts.com	• MINNEAPOLIS, MN 55445 • fax: 763-425-2004	
	DESCRIPTION.	Air Shower - Straight Through CAP701KD-ST-5554		
	QUOTE NO.	DO NOT SCALE		
	DATE DRAWN 05/10/2010	QUOTE FORM 007955	REV 2	SHEET 1 of 3