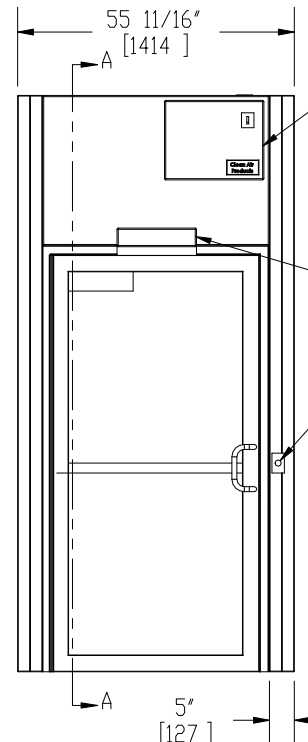
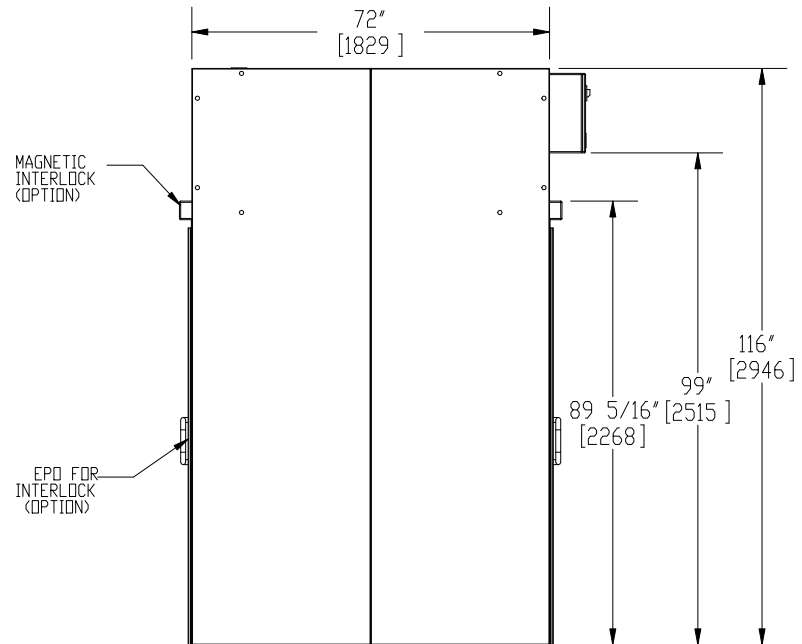
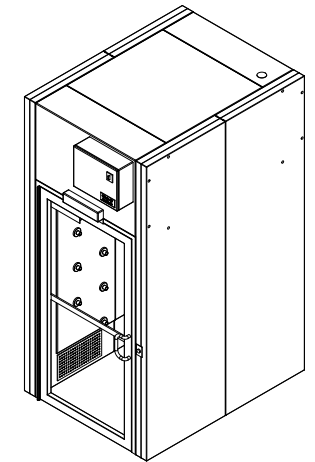
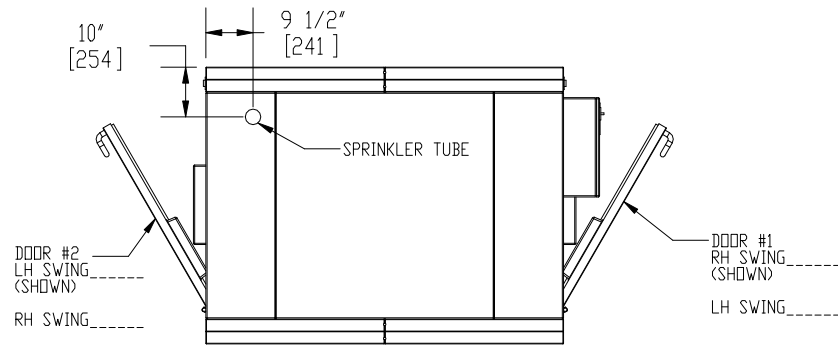


NOTES: UNLESS OTHERWISE SPECIFIED

1. DIMENSIONS ARE IN INCHES (mm).

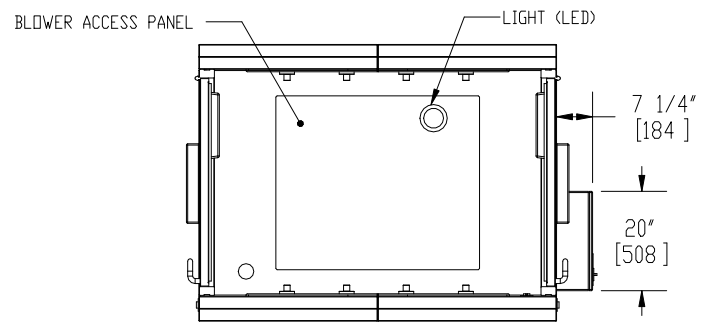
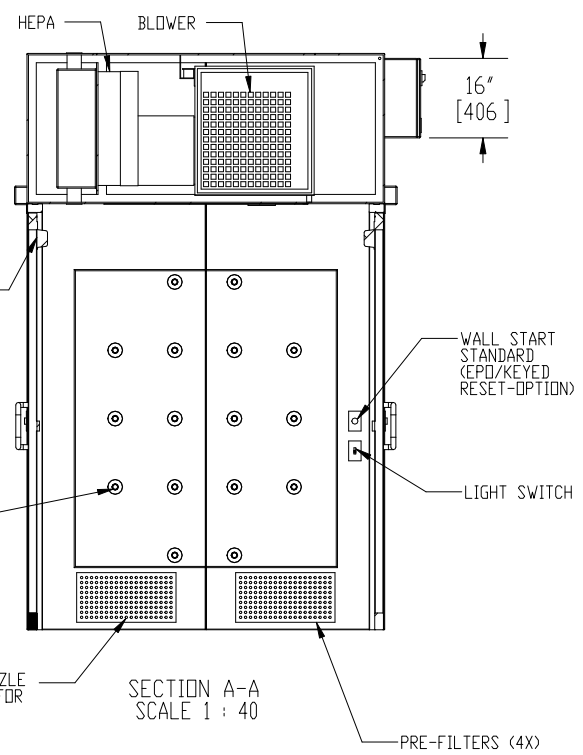


ELECTRIC SERVICE (STANDARD)  
-208/230V 60Hz 3Ph  
-MICROPROCESSOR  
-STARTER/OVERLOAD  
-ALARM  
-DISCONNECT

MAGNETIC INTERLOCK (OPTION)  
DOOR CLOSERS ON INSIDE OF DOORS

EPO FOR INTERLOCK (OPTION)

ADJUSTABLE NOZZLES (STANDARD)



© COPYRIGHT 2010 CLEAN AIR PRODUCTS	<b>Clean Air PRODUCTS</b>	8605 WYOMING AVENUE NORTH 800-423-9728 www.cleanairproducts.com	• MINNEAPOLIS, MN 55445 • ph: 763-425-9122 • fax: 763-425-2004	
	DESCRIPTION. Air Shower - Straight Through CAP701KD-ST-5572			
	QUOTE NO.			
	DO NOT SCALE	DATE DRAWN 05/10/2010	QUOTE FORM 007956	REV 2