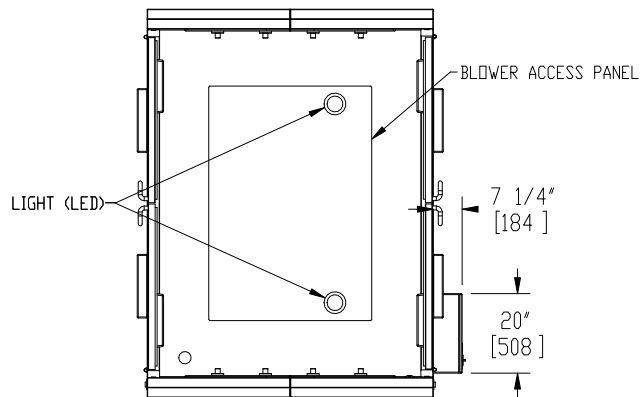
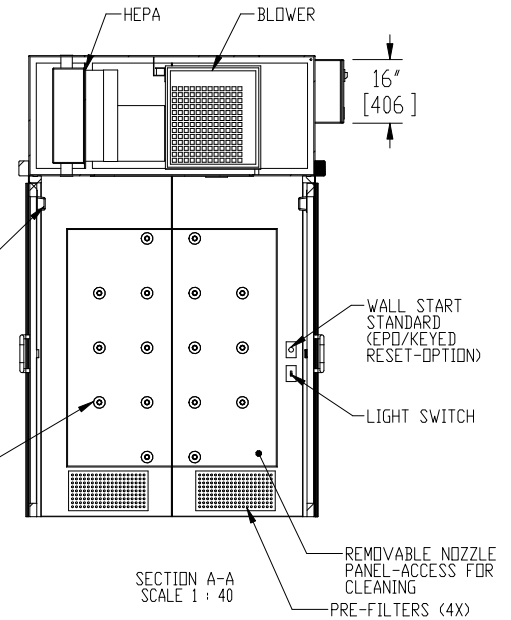
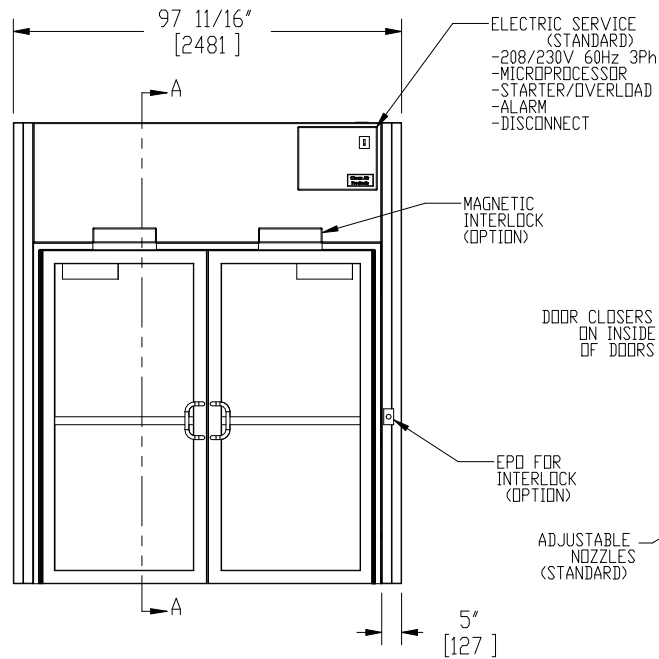
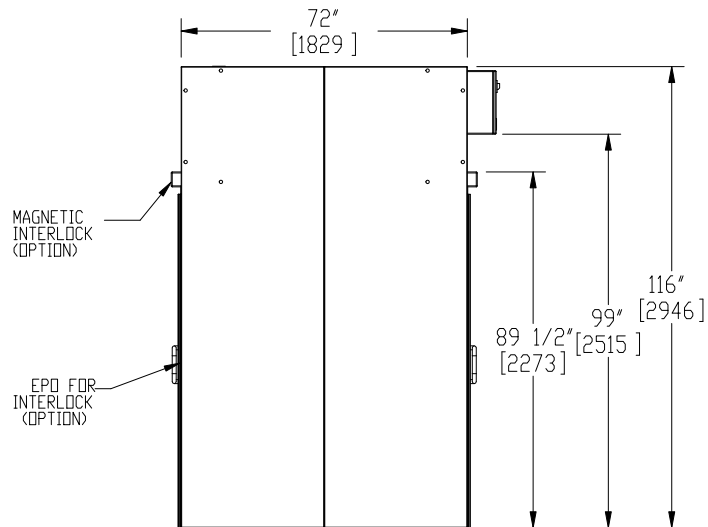
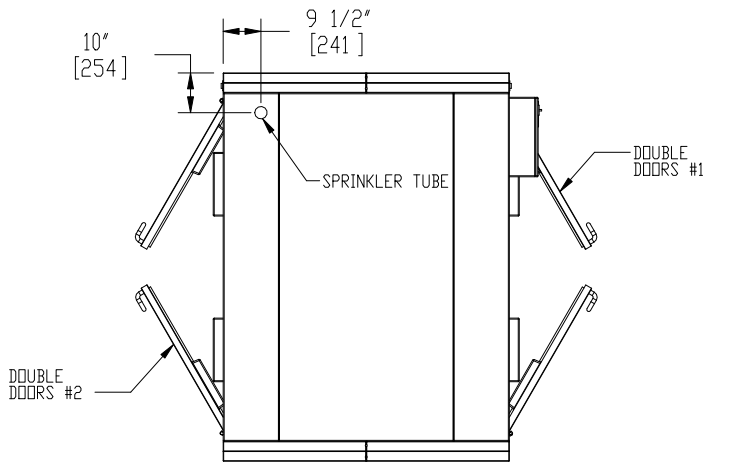


NOTES: UNLESS OTHERWISE SPECIFIED

1. DIMENSIONS ARE IN INCHES (mm).



SECTION A-A
SCALE 1 : 40

© COPYRIGHT 2010 CLEAN AIR PRODUCTS	Clean Air PRODUCTS	8605 WYOMING AVENUE NORTH 800-423-9728 • ph: 763-425-9122 • fax: 763-425-2004 www.cleanairproducts.com	• MINNEAPOLIS, MN 55445	
	DESCRIPTION.	Air Shower - Straight Through CAP701KD-ST-9772		
	QUOTE NO.			
DO NOT SCALE	DATE DRAWN 05/11/2010	QUOTE FORM 007972	REV 2	SHEET 1 of 3