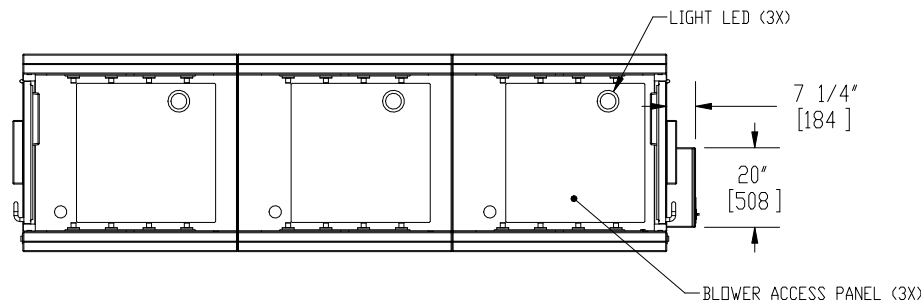
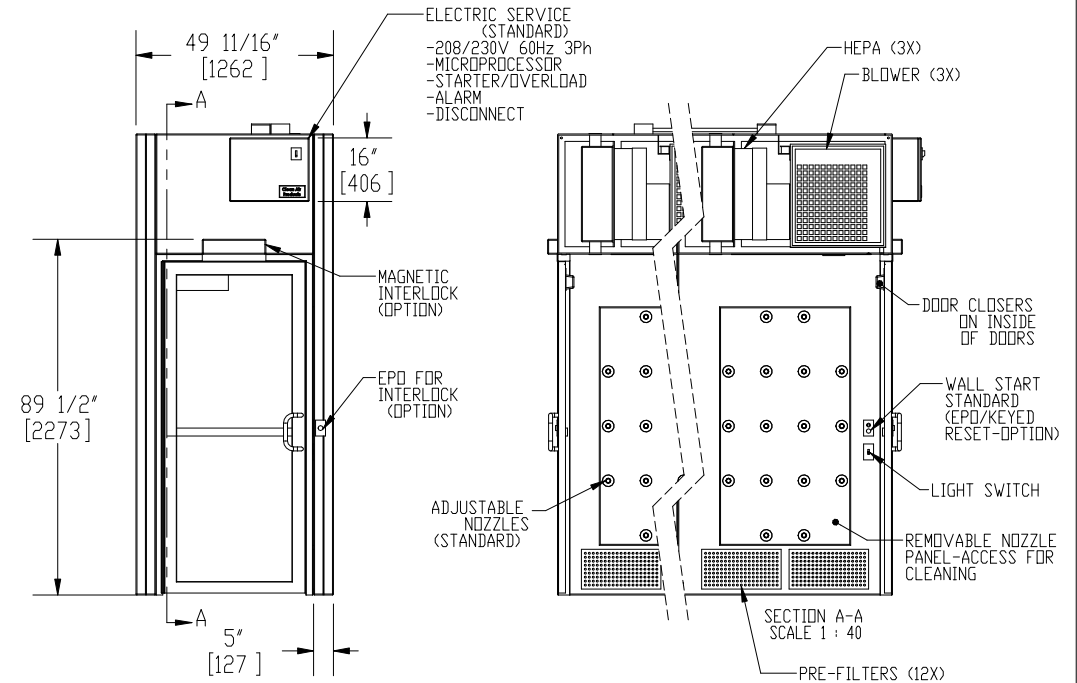
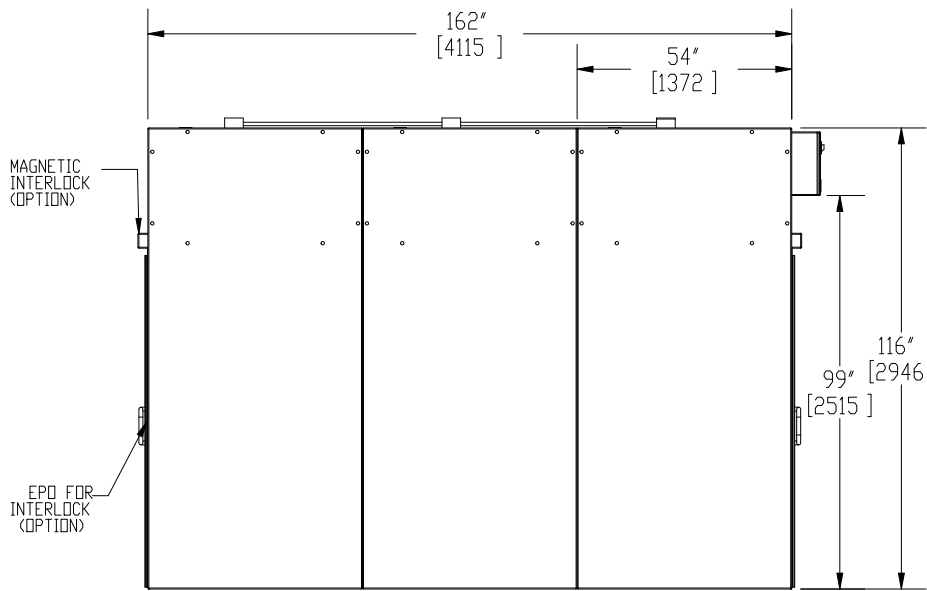
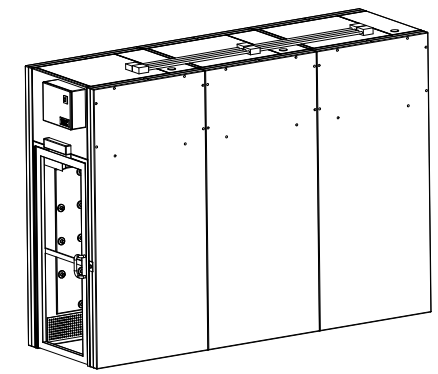
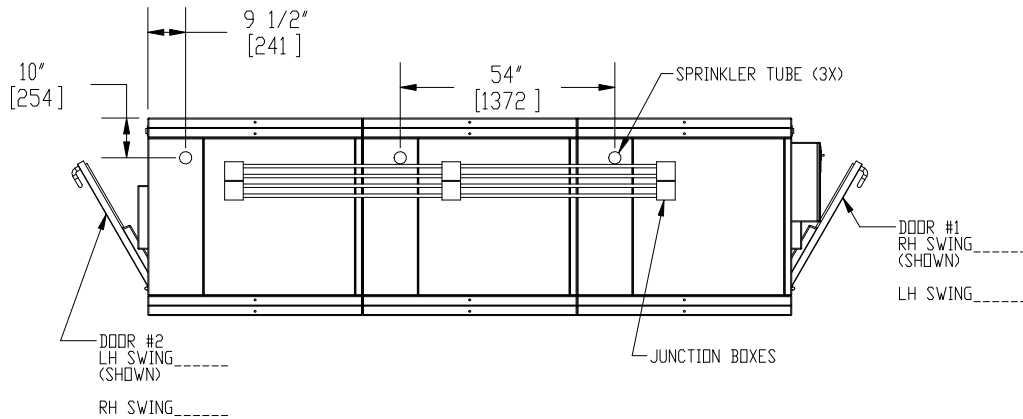


NOTES: UNLESS OTHERWISE SPECIFIED

1. DIMENSIONS ARE IN INCHES (mm).



© COPYRIGHT 2010 CLEAN AIR PRODUCTS	Clean Air PRODUCTS	8605 WYOMING AVENUE NORTH 800-423-9728 • ph: 763-425-9122 • fax: 763-425-2004 www.cleanairproducts.com	MINNEAPOLIS, MN 55445	
	DESCRIPTION.	Air Shower - Tunnel CAP701KD-ST3-49162		
	QUOTE NO.			
DO NOT SCALE	DATE DRAWN 11/13/2009	QUOTE FORM 004164	REV 2	SHEET 1 of 3