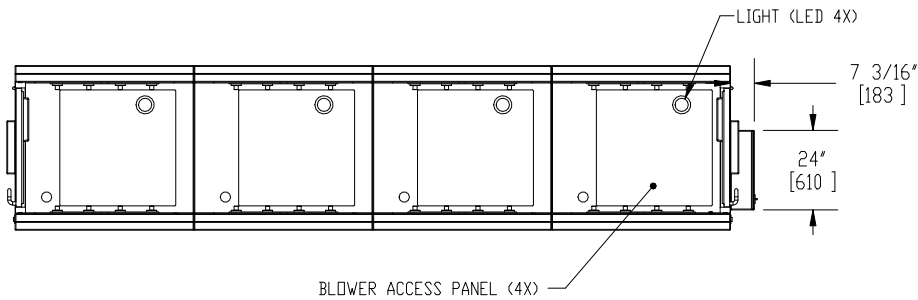
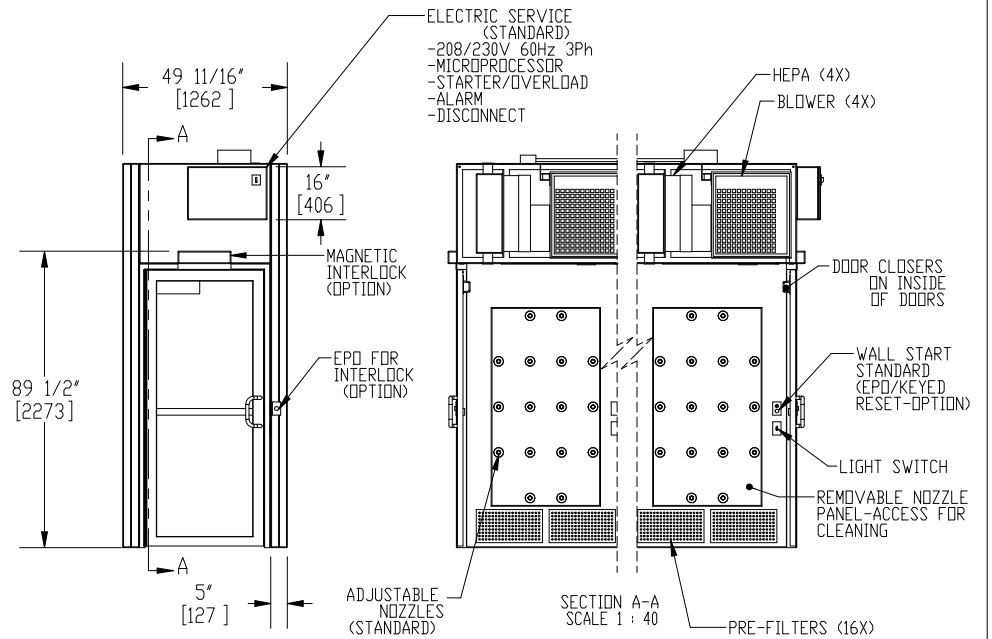
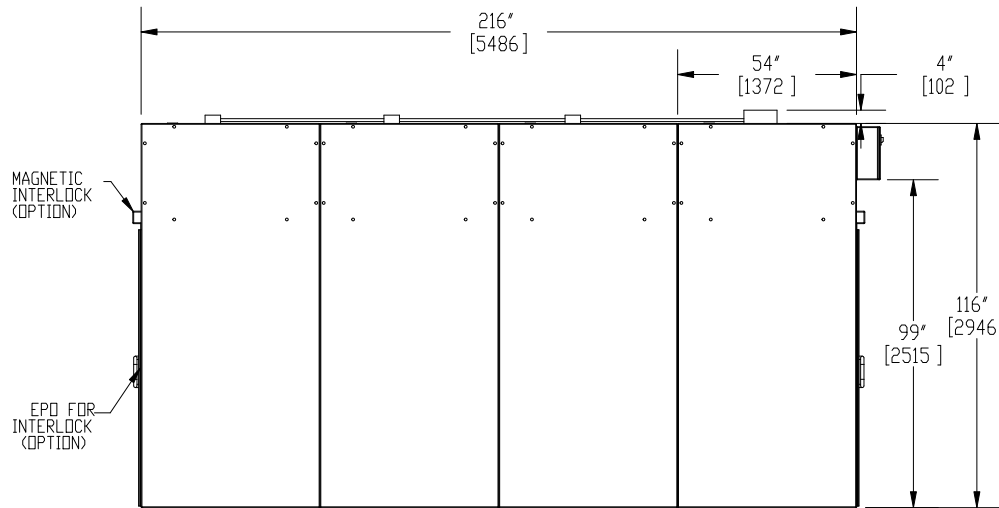
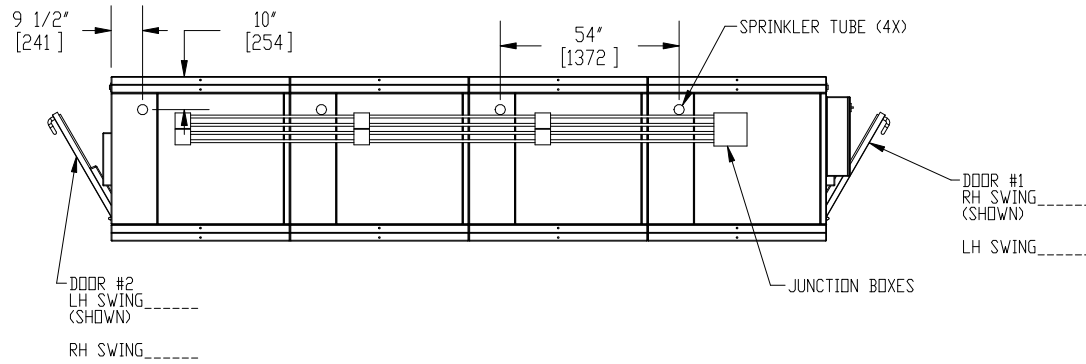
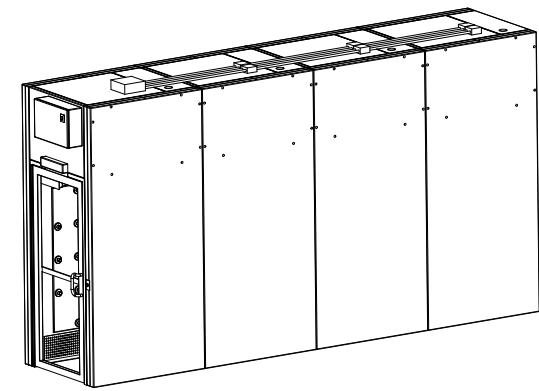


NOTES: UNLESS OTHERWISE SPECIFIED

1. DIMENSIONS ARE IN INCHES (mm).



© COPYRIGHT 2010 CLEAN AIR PRODUCTS	Clean Air PRODUCTS	8605 WYOMING AVENUE NORTH 800-423-9728 • ph: 763-425-9122 • fax: 763-425-2004 www.cleanairproducts.com	• MINNEAPOLIS, MN 55445	
	DESCRIPTION.	Air Shower - Tunnel CAP701KD-ST4-49216		
	QUOTE NO.			
DO NOT SCALE	DATE DRAWN 05/11/2010	QUOTE FORM 007980	REV 2	SHEET 1 of 3