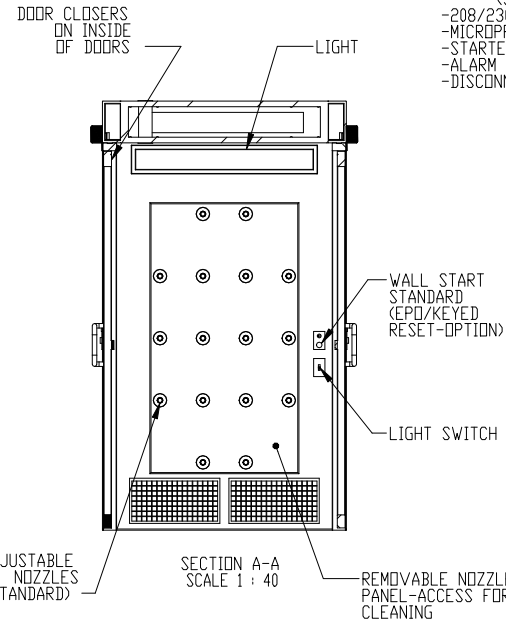
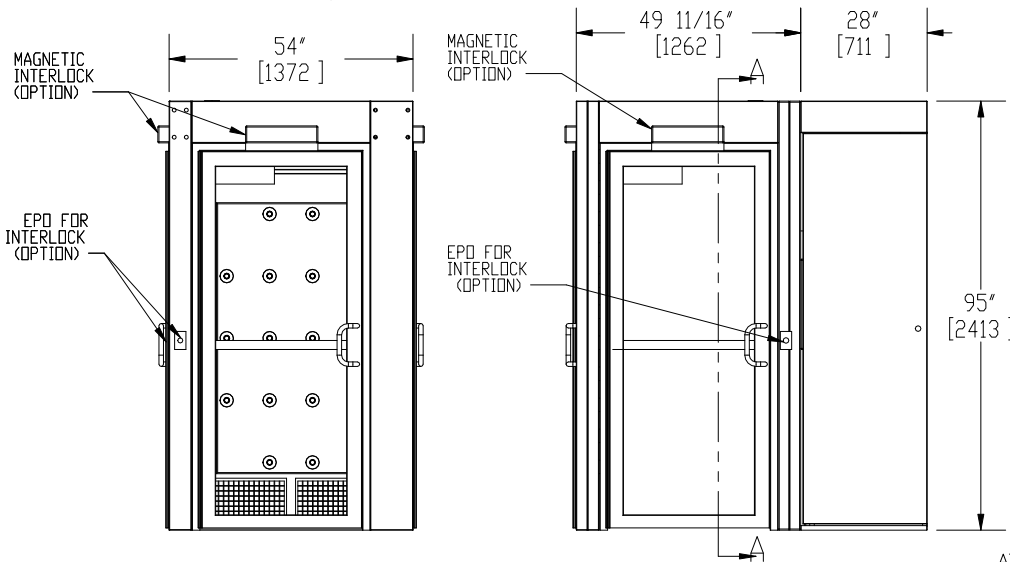
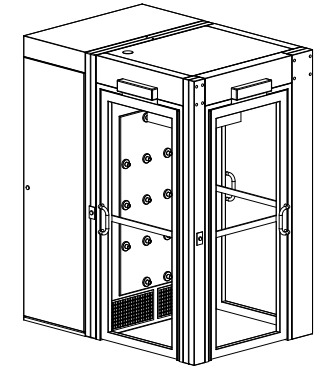
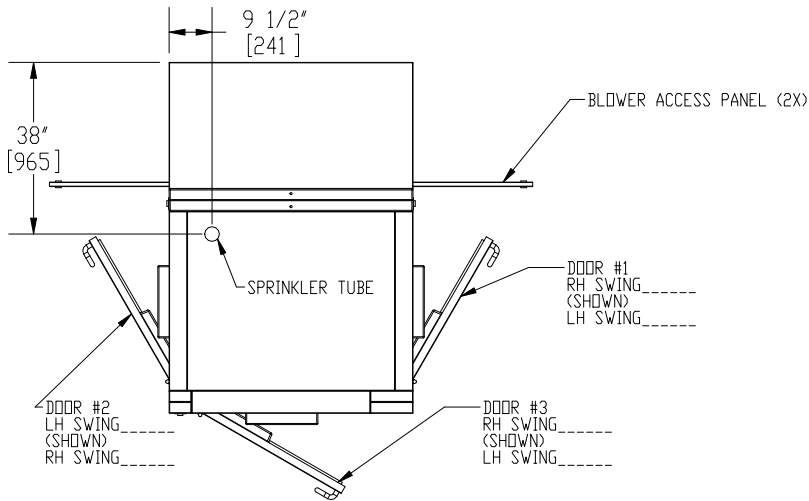
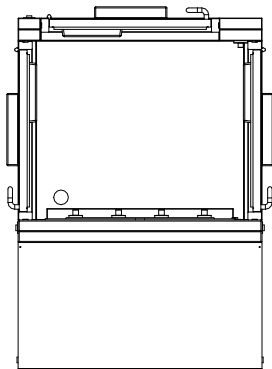
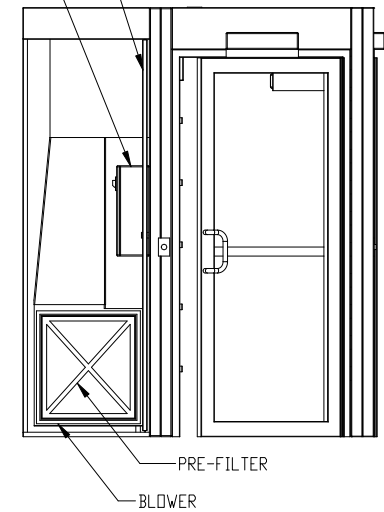


NOTES: UNLESS OTHERWISE SPECIFIED

1. DIMENSIONS ARE IN INCHES (mm).



ELECTRIC SERVICE (STANDARD)  
 -208/230V 60Hz 3Ph  
 -MICROPROCESSOR  
 -STARTER/OVERLOAD  
 -ALARM  
 -DISCONNECT



© COPYRIGHT 2010 CLEAN AIR PRODUCTS	Clean Air PRODUCTS	8605 WYOMING AVENUE NORTH 800-423-9728	• MINNEAPOLIS, MN 55445 • ph: 763-425-9122 • fax: 763-425-2004 www.cleanairproducts.com	
	DESCRIPTION.	Air Shower - 3 Door CAP701KD-3DLH-4954		
	QUOTE NO.			
DO NOT SCALE	DATE DRAWN 11/13/2009	QUOTE FORM 004181	REV 1	SHEET 1 of 3