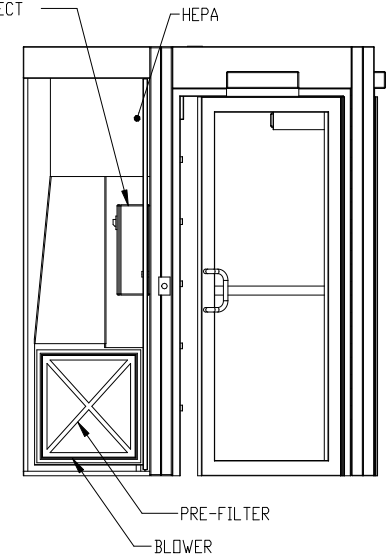
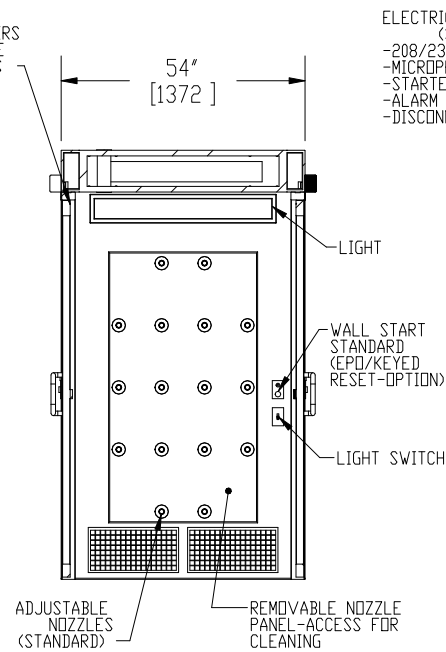
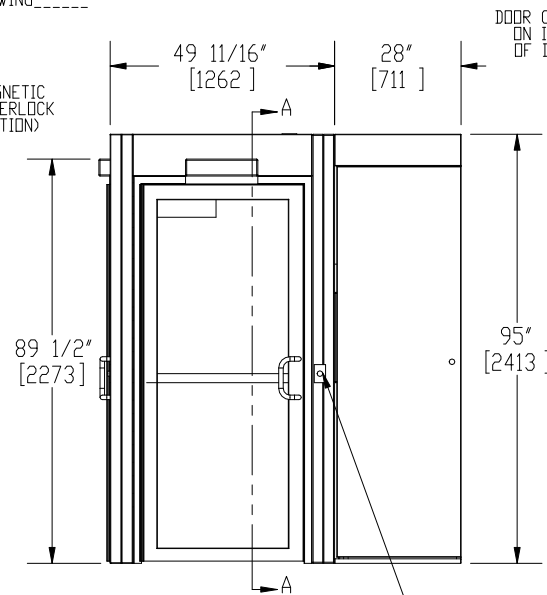
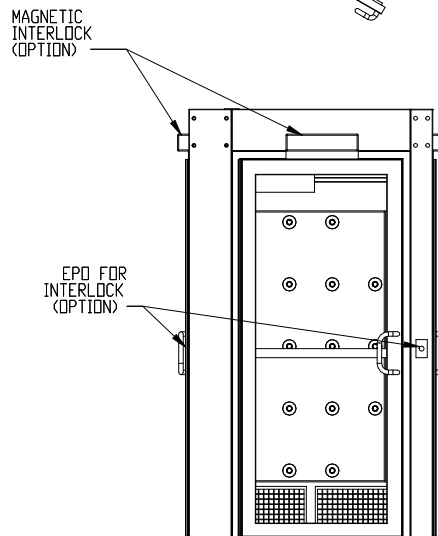
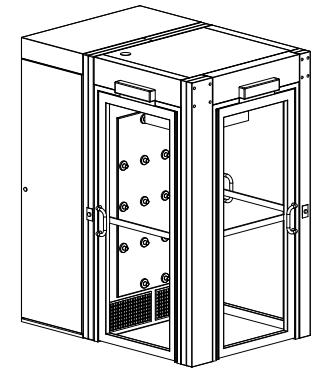
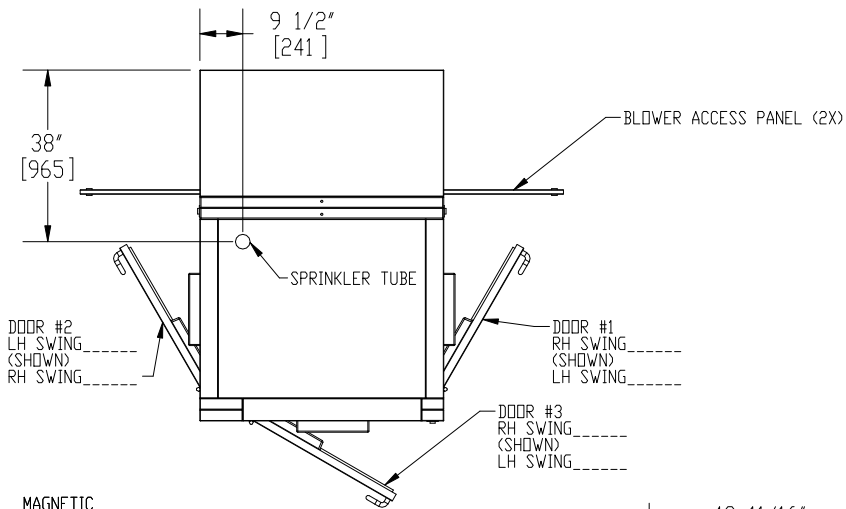
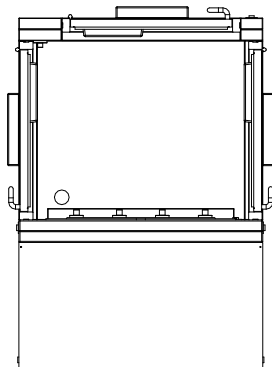


NOTES: UNLESS OTHERWISE SPECIFIED

1. DIMENSIONS ARE IN INCHES (mm).



SECTION A-A
SCALE 1 : 40



© COPYRIGHT 2010 CLEAN AIR PRODUCTS	Clean Air PRODUCTS	8605 WYOMING AVENUE NORTH • MINNEAPOLIS, MN 55445 800-423-9728 • ph: 763-425-9122 • fax: 763-425-2004 www.cleanairproducts.com	
	DESCRIPTION.	Air Shower - 3 Door CAP701LP-3DRH-4954	
	QUOTE NO.	DO NOT SCALE	
DATE DRAWN 11/13/2009	QUOTE FORM 004185	REV 1	SHEET 1 of 3