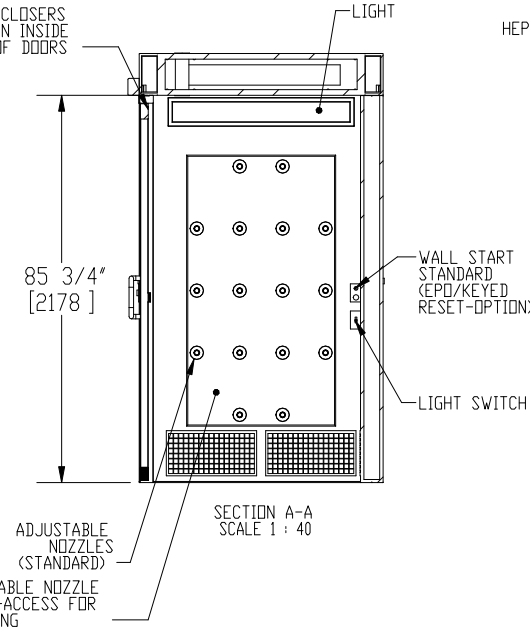
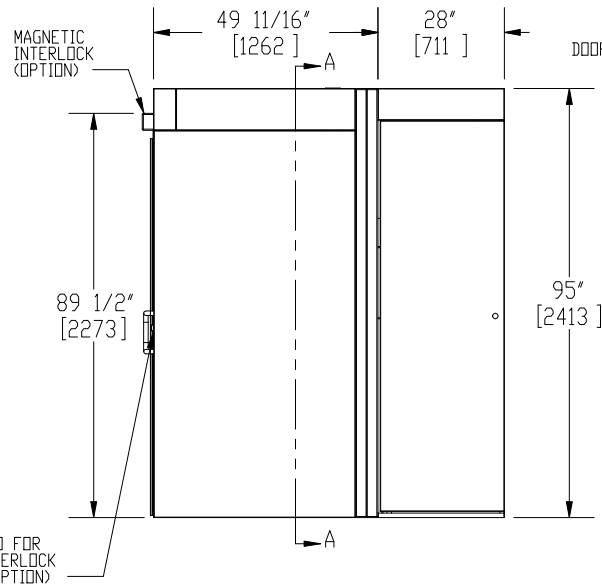
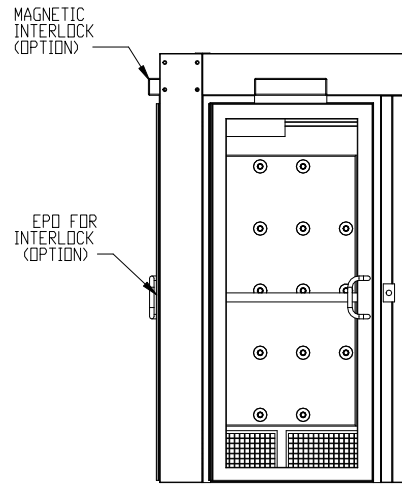
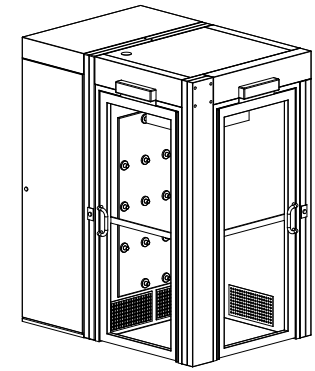
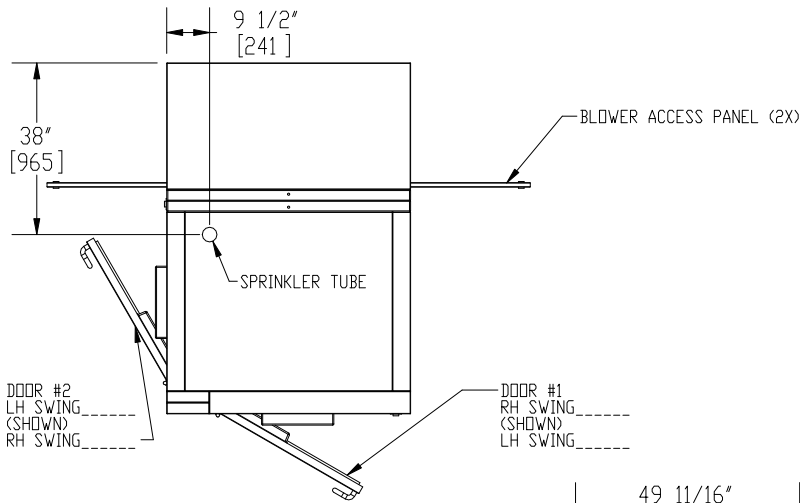
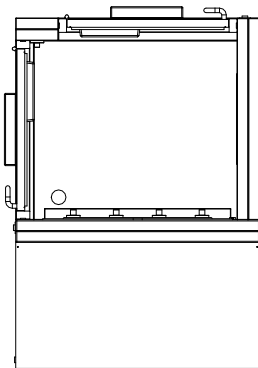
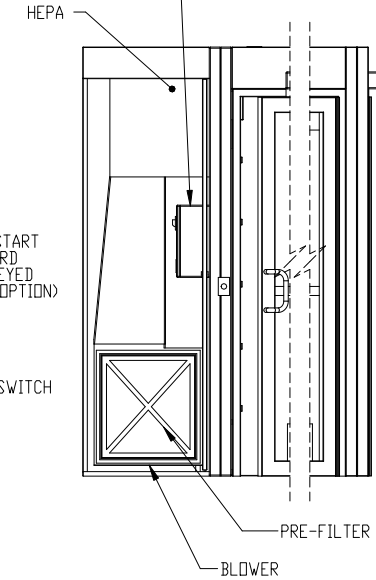


NOTES: UNLESS OTHERWISE SPECIFIED

1. DIMENSIONS ARE IN INCHES (mm).



ELECTRIC SERVICE (STANDARD)  
-208/230V 60Hz 3Ph  
-MICROPROCESSOR  
-STARTER/OVERLOAD  
-ALARM  
-DISCONNECT



© COPYRIGHT 2010 CLEAN AIR PRODUCTS	<b>Clean Air PRODUCTS</b>	8605 WYOMING AVENUE NORTH • MINNEAPOLIS, MN 55445 800-423-9728 • ph: 763-425-9122 • fax: 763-425-2004 www.cleanairproducts.com
	DESCRIPTION.	Air Shower - 90 Degree CAP701LP-RH-4954
	QUOTE NO.	DO NOT SCALE
DATE DRAWN 11/13/2009	QUOTE FORM 004168	REV 1
SHEET 1 of 3		