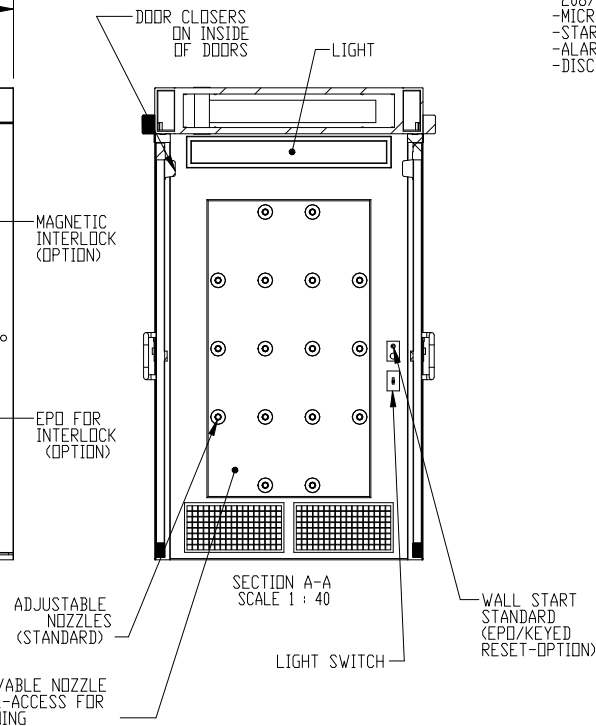
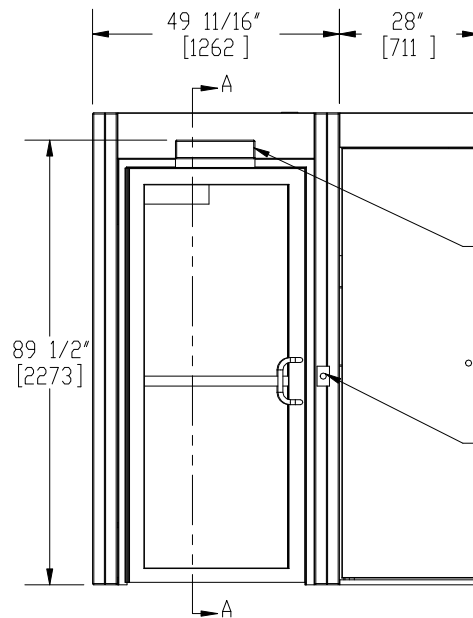
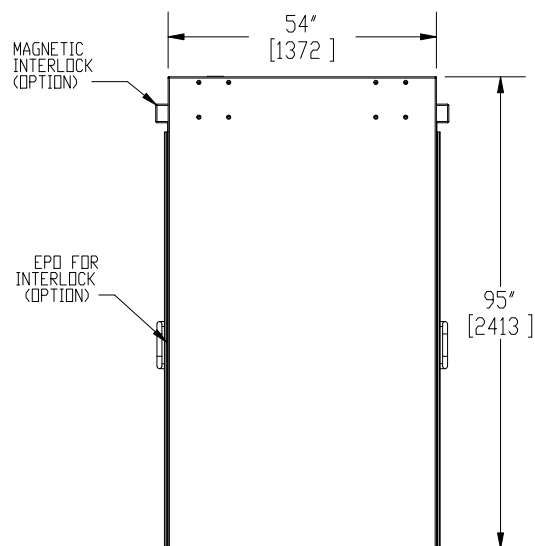
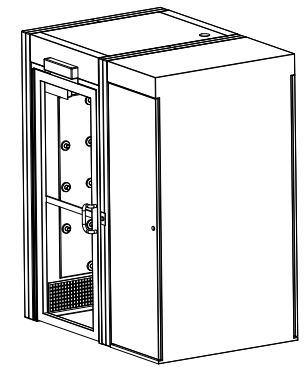
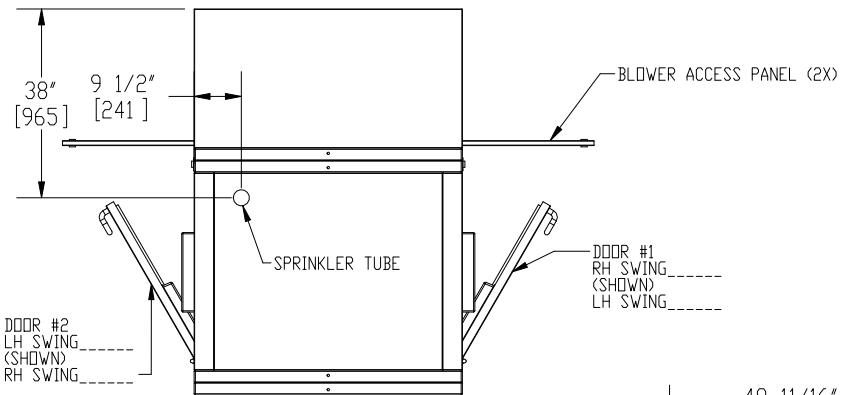
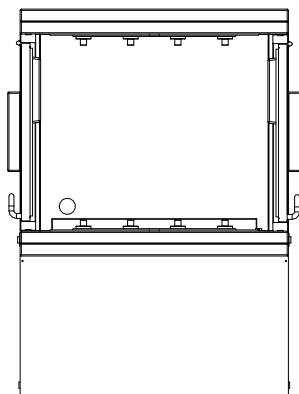
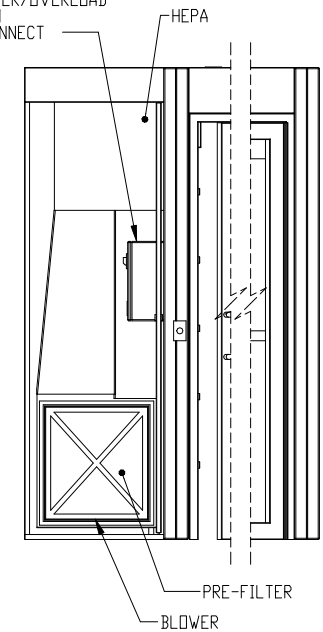


NOTES: UNLESS OTHERWISE SPECIFIED

1. DIMENSIONS ARE IN INCHES (mm).



- ELECTRIC SERVICE (STANDARD)
-208/230V 60Hz 3Ph
-MICROPROCESSOR
-STARTER/OVERLOAD
-ALARM
-DISCONNECT



© COPYRIGHT 2010 CLEAN AIR PRODUCTS	Clean Air PRODUCTS 8605 WYOMING AVENUE NORTH • MINNEAPOLIS, MN 55445 800-423-9728 • ph: 763-425-9122 • fax: 763-425-2004 www.cleanairproducts.com			
	DESCRIPTION. Air Shower - Straight Through CAP701LP-ST-4954			
	QUOTE NO.			
DO NOT SCALE	DATE DRAWN 11/13/2009	QUOTE FORM 004167	REV 1	SHEET 1 of 3