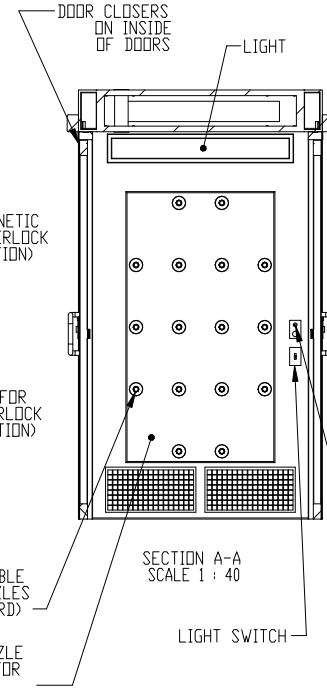
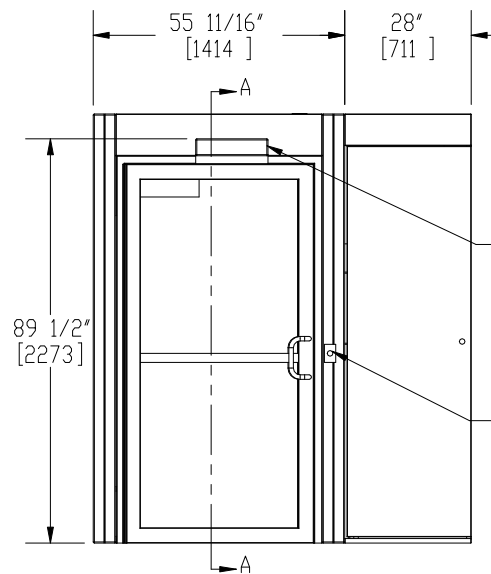
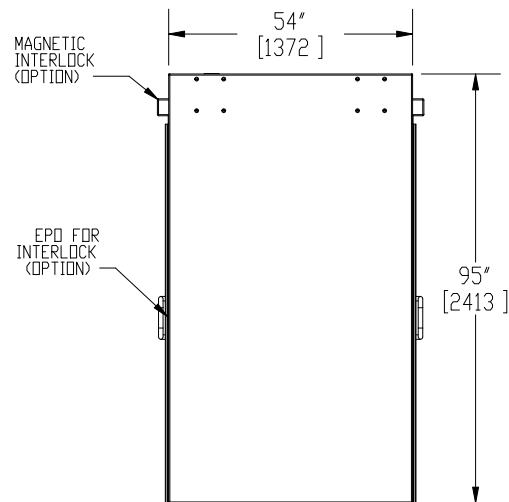
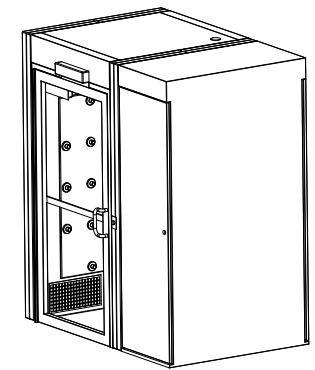
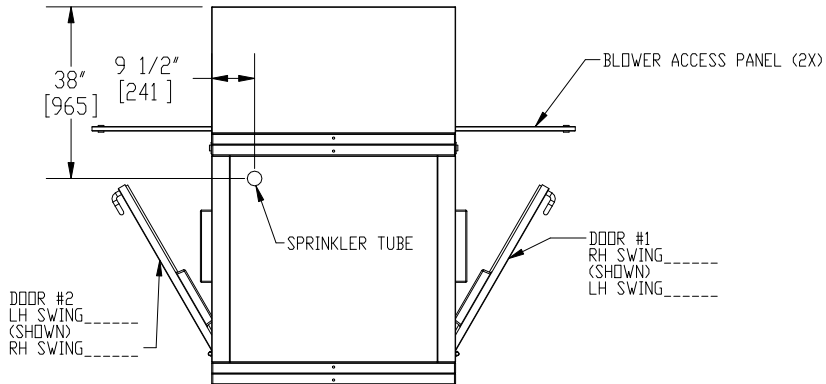
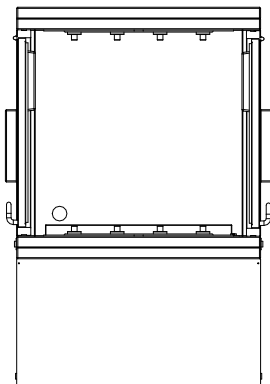
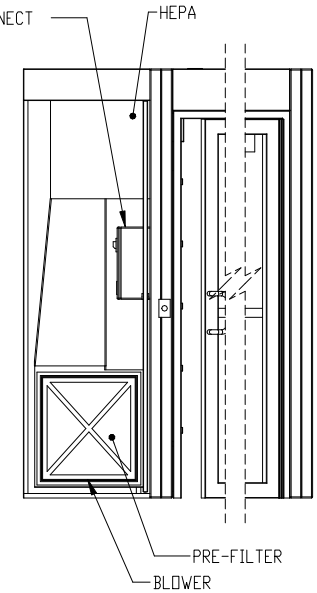


NOTES: UNLESS OTHERWISE SPECIFIED

1. DIMENSIONS ARE IN INCHES (mm).



ELECTRIC SERVICE (STANDARD)
 -208/230V 60Hz 3Ph
 -MICROPROCESSOR
 -STARTER/OVERLOAD
 -ALARM
 -DISCONNECT



© COPYRIGHT 2010 CLEAN AIR PRODUCTS	Clean Air PRODUCTS 8605 WYOMING AVENUE NORTH • MINNEAPOLIS, MN 55445 800-423-9728 • ph: 763-425-9122 • fax: 763-425-2004 www.cleanairproducts.com
	DESCRIPTION. Air Shower - Straight Through CAP701LP-ST-5554
	QUOTE NO.
	DO NOT SCALE
DATE DRAWN 05/12/2010	QUOTE FORM 007991
REV 1	SHEET 1 of 3