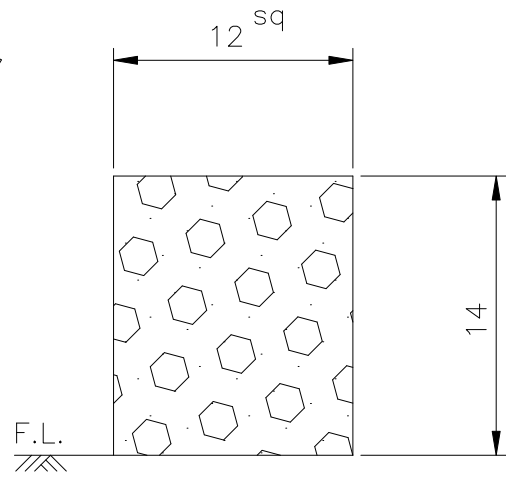
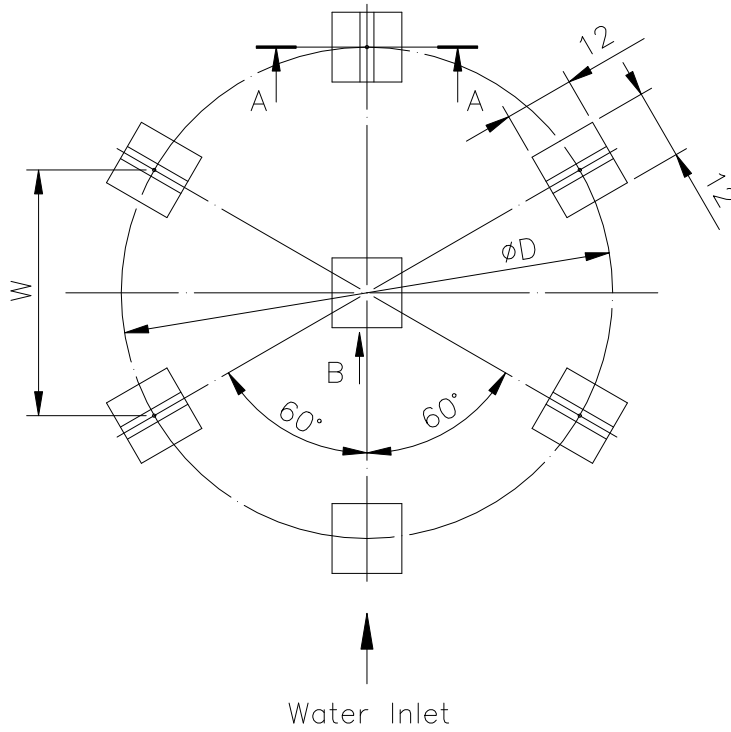
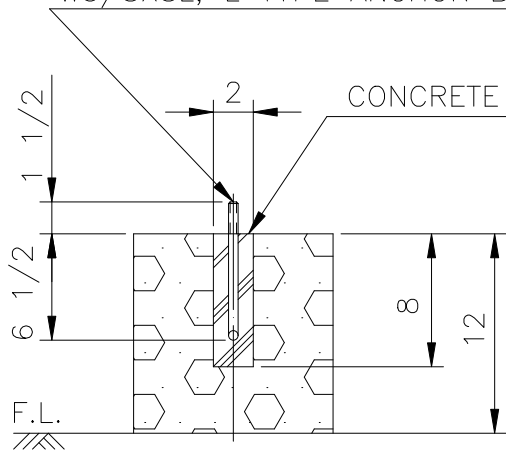


T-	øD	W	L TYPE ANCHOR BOLT		
			SIZE	L	PCS
2100	92 1/2	46 1/4	W 5/8	8	5
2125	103 1/8	51 1/2	W 5/8	8	5



1 1/2L ALL THREAD PROJECTION
W5/8X8L, L TYPE ANCHOR BOLT 5 PCS



A-A SECTION

B VIEW

TITLE	T-2100~T-2125		C.T.S		
	FOUNDATION DETAIL				
Approved		Designed	IN	✕	'07·02·14
Checked		Drawn	DWG NO.		
LIANG CHI INDUSTRY CO., LTD.					