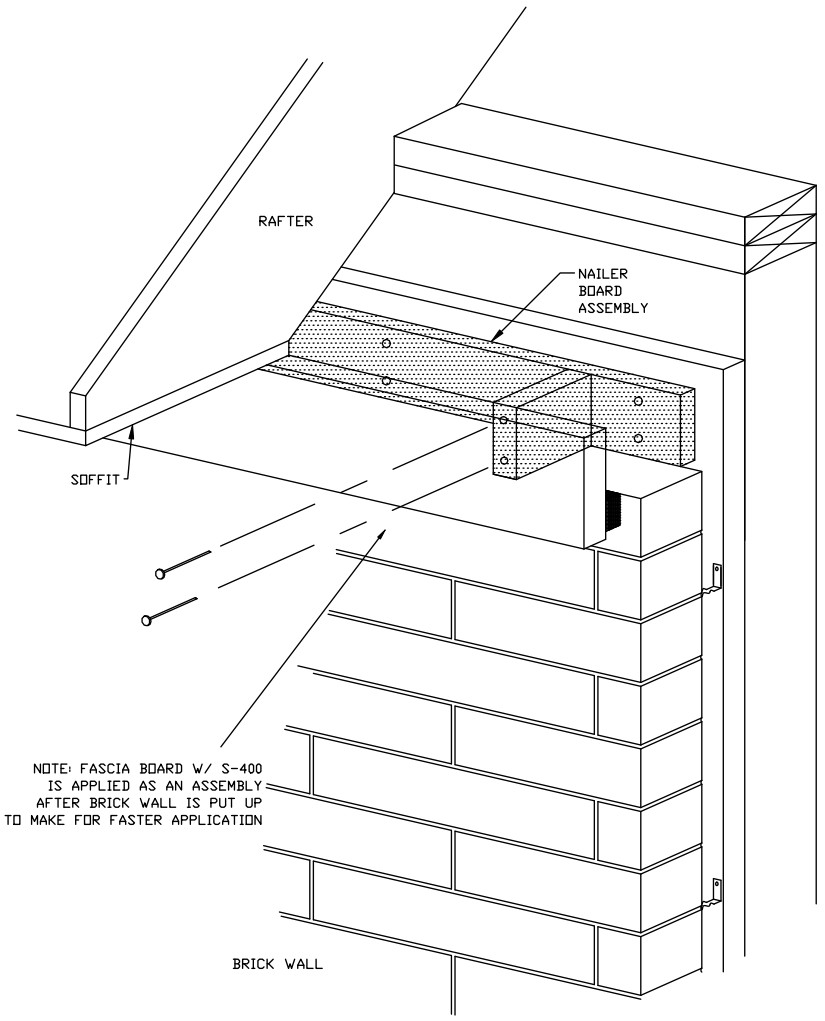
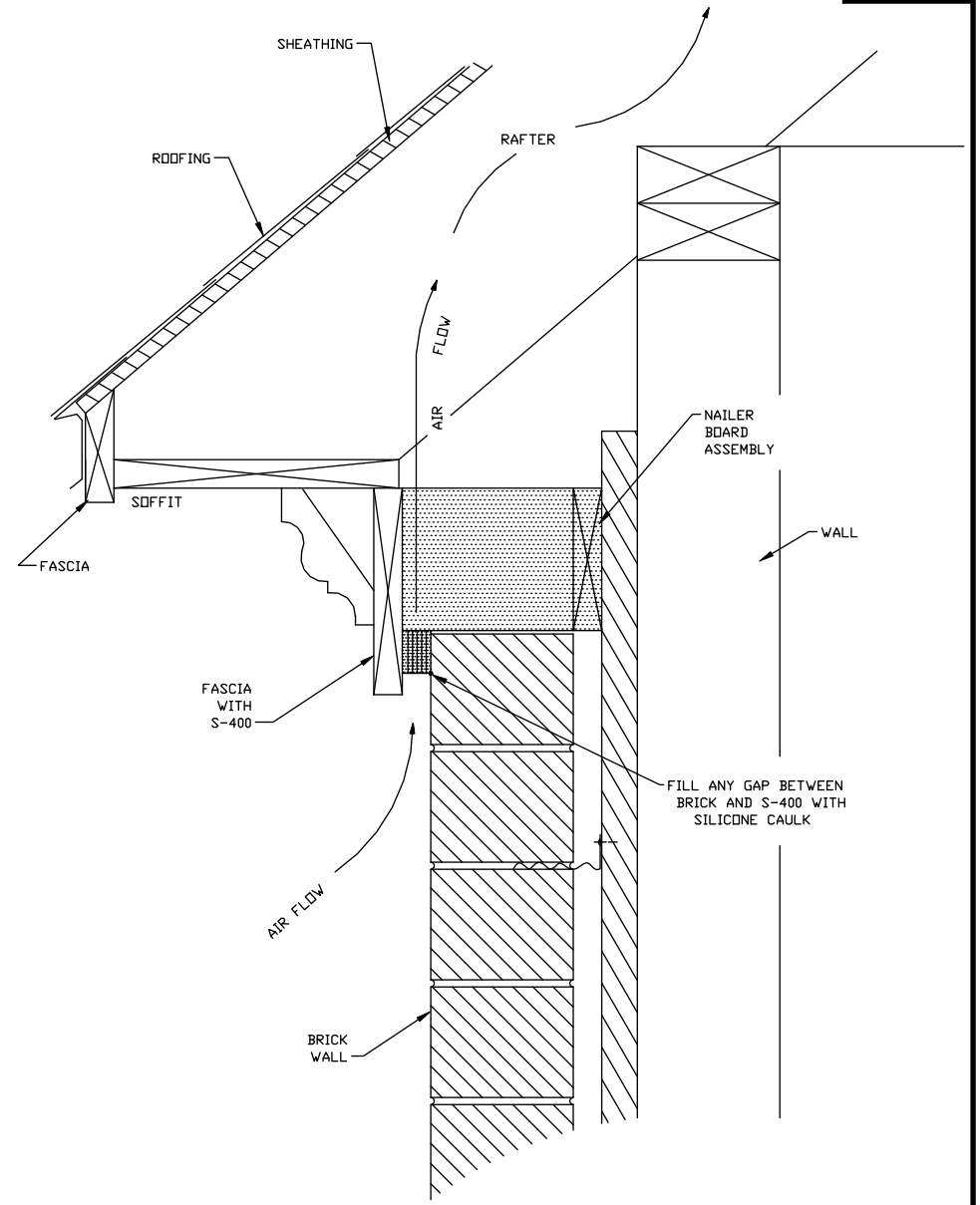


COR-A-VENT S-400 STRIP VENT FRIEZE BOARD
APPLICATION WITH BRICK EXTERIOR

SPECIAL APPLICATION OF S-400
MADE INTO ASSEMBLY



NOTE: FASCIA BOARD W/ S-400 IS APPLIED AS AN ASSEMBLY AFTER BRICK WALL IS PUT UP TO MAKE FOR FASTER APPLICATION



"This material may be duplicated only for the purposes of specifying Cor-A-Vent products. No permission is given to duplicate or otherwise copy this material for any other purpose without the express written permission of Cor-A-Vent Inc."

©2006 COR-A-VENT, INC.

| | | |
|---|--------------|-----------------------------|
| COR-A-VENT, INC. P.O. BOX 428 MISHAWAKA, IN 46546-0428 800-837-8368 | | |
| SCALE: | APPROVED BY: | DRAWN BY: SR |
| DATE: 05-31-06 | G. SELLS | |
| COR-A-VENT S-400 STRIP VENT FRIEZE BOARD APPLICATION WITH BRICK EXTERIOR | | |
| ARCHITECT REFERENCE DRAWING | | DRAWING NUMBER COR-SOF10 |