

SECTION "A"

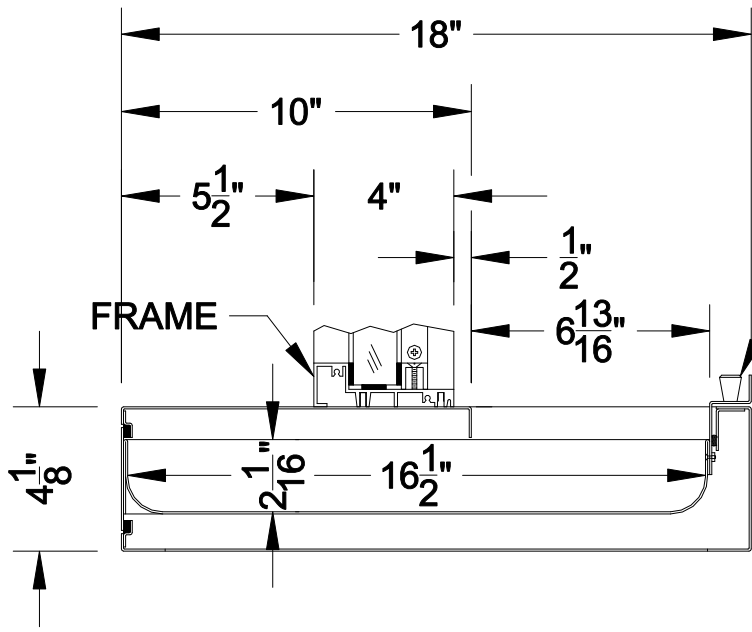
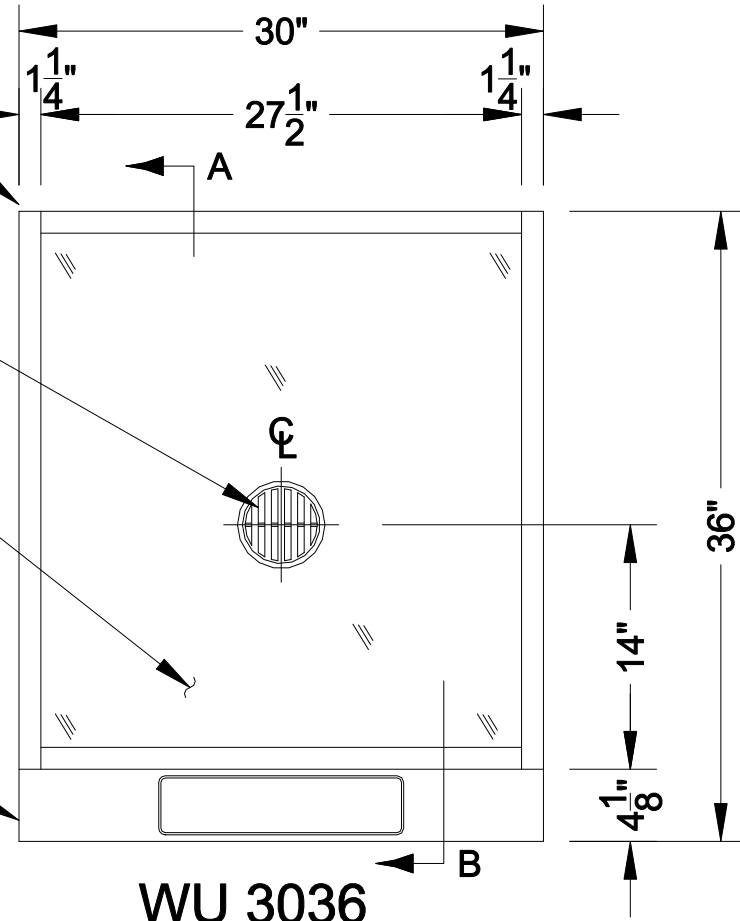
CLEAR ANODIZED ALUMINUM FRAME

5-D TALK THRU CLASS III B.R. (PATENTED)

1-³/₁₆" THICK GLAZING (TO BE SPECIFIED)

LOCK

18" DEEP STAINLESS STEEL COUNTER TOP W/ BUILT-IN DRAWER (PATENTED)



SECTION "B"