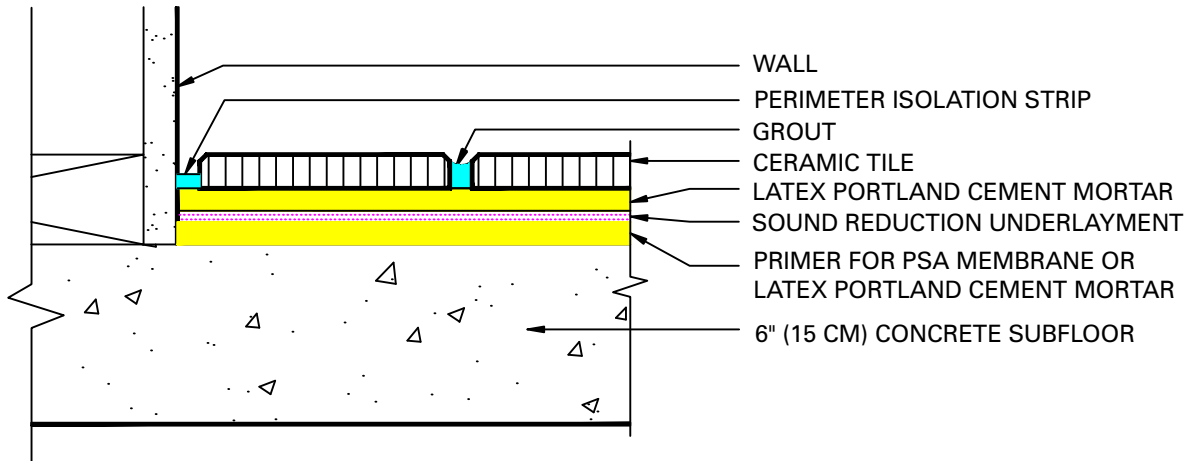


FLOORS, INTERIOR

Sound Control on Concrete Subfloor

Polypropylene Mat Underlayment



Grout Options:

- Prism® SureColor® Grout
- Polyblend® Sanded Grout
- Polyblend® Non-Sanded Grout

Sound Reduction Underlayment Options:

- EasyMat® with SoundGard® Technology Versatile Underlayment for Setting Tile & Stone (3 mm, 5 mm, 12 mm – Residential Only)
- EasyMat® with SoundGard® Technology Versatile Underlayment for Setting Tile & Stone – Peel & Stick (3 mm, 5 mm) / Peel & Stick Primer

Latex Portland Cement Mortar Options:

- MegaLite® Crack Prevention Mortar
- MegaFlex® Crack Prevention Mortar
- FlexBond® Crack Prevention Mortar
- ProLite® Tile & Stone Mortar
- VersaBond Flex® Fortified Thin-Set Mortar
- Complete Contact™ Fortified Mortar
- Porcelain Tile Fortified Thin-Set Mortar

Rapid Setting Mortars:

- MegaLite® Rapid Set Crack Prevention Mortar
- ProLite® Rapid Set Tile & Stone Mortar
- SpeedSet™ Fortified Thin-Set Mortar
- Complete Contact™ RS Fortified Mortar

Medium Bed Mortars:

- Marble & Granite Fortified Premium Mortar
- Medium Bed Mortar
- Complete Contact™ Fortified Mortar
- Complete Contact™ RS Fortified Mortar

These drawings have been taken from Tile Council of America's (TCA) Handbook for Ceramic Tile Installation and are also compatible with the drawings in Terrazzo, Tile and Marble Association of Canada's (TTMAC) Handbook. For your convenience, Custom Building Products options are substituted for TCA's and TTMAC's generic product descriptions. Please refer to the handbooks for complete information.

