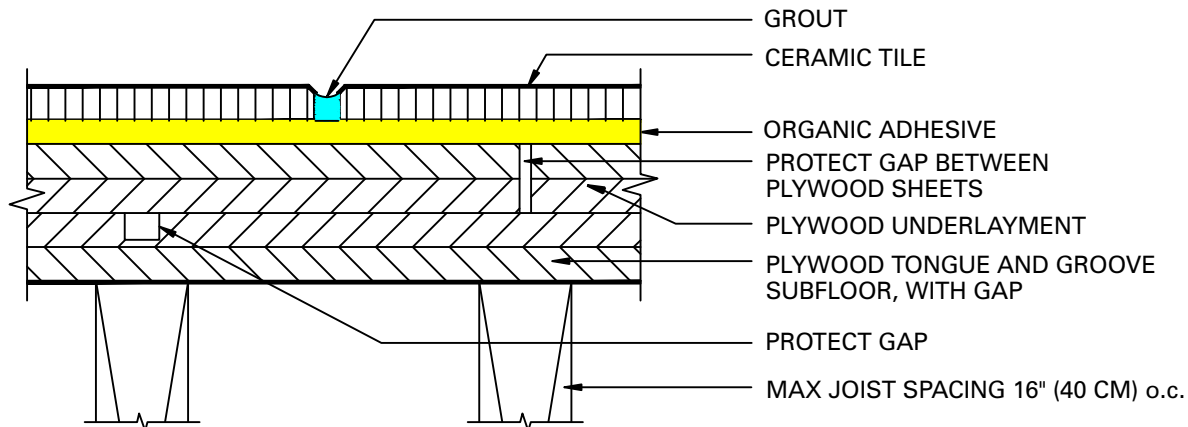


FLOORS, INTERIOR

Wood Subfloor, 16" o.c. Joist Spacing

Organic Adhesive



Grout Options:

- Prism® SureColor® Grout
- Polyblend® Sanded Grout
- Polyblend® Non-Sanded Grout

Organic Adhesive Option:

- OmniGrip® Maximum Strength Adhesive

These drawings have been taken from Tile Council of America's (TCA) Handbook for Ceramic Tile Installation and are also compatible with the drawings in Terrazzo, Tile and Marble Association of Canada's (TTMAC) Handbook. For your convenience, Custom Building Products options are substituted for TCA's and TTMAC's generic product descriptions. Please refer to the handbooks for complete information.

