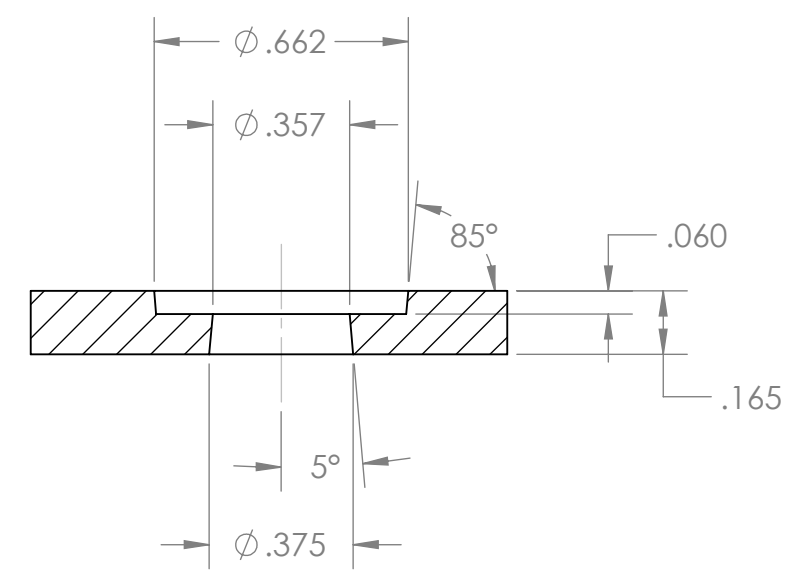
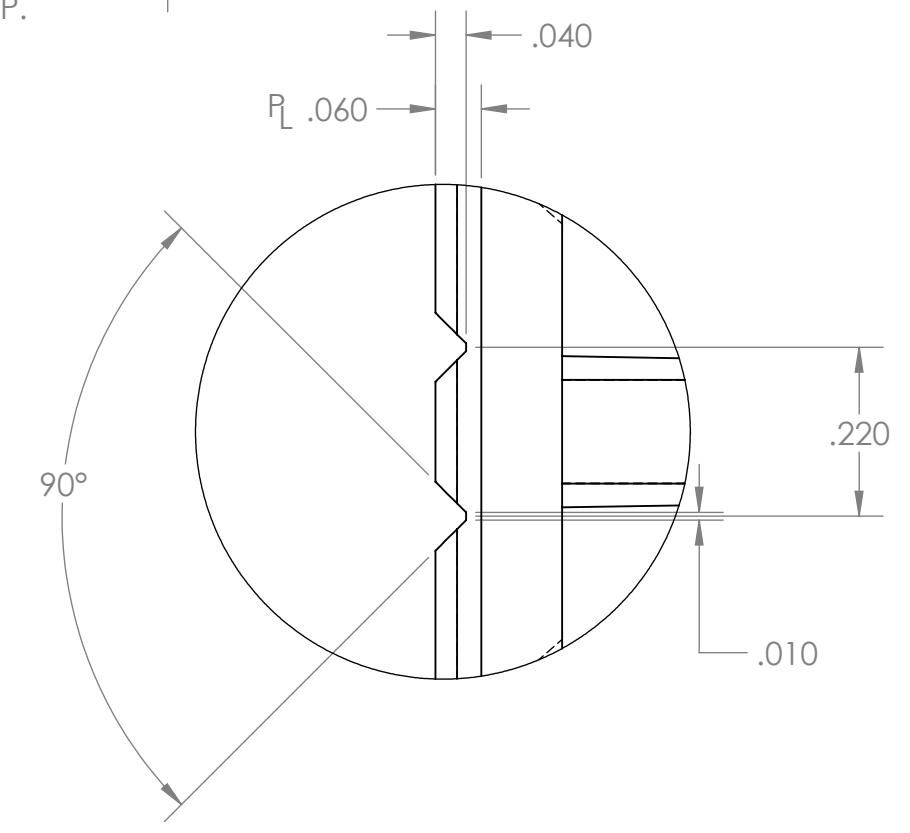


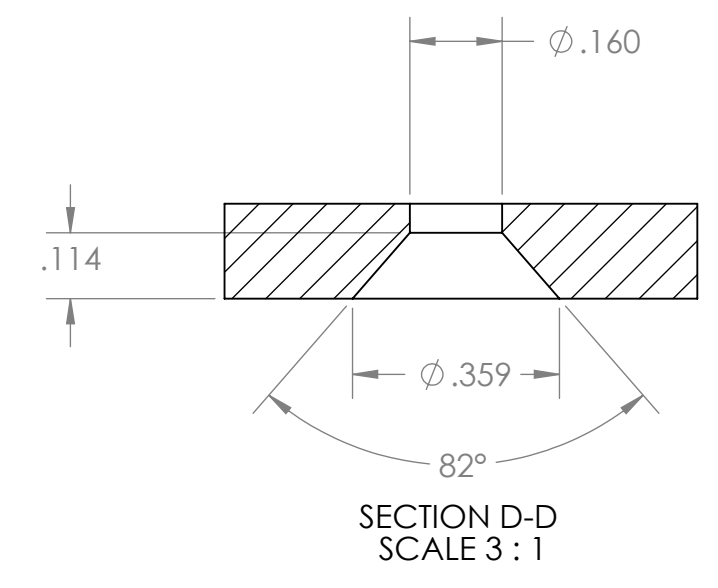
SECTION C-C



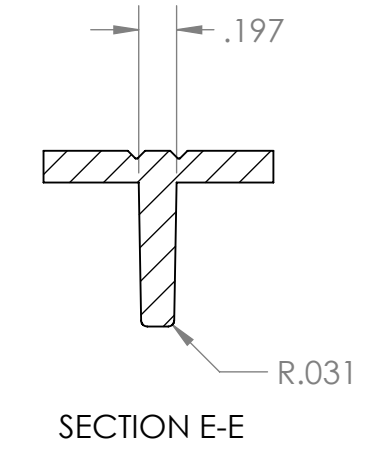
SECTION B-B
SCALE 2 : 1



DETAIL A
SCALE 4 : 1



SECTION D-D
SCALE 3 : 1



SECTION E-E

PROPRIETARY AND CONFIDENTIAL
THE INFORMATION CONTAINED IN THIS DRAWING IS THE SOLE PROPERTY OF Ipe Clip Fastener Co. ANY REPRODUCTION IN PART OR AS A WHOLE WITHOUT THE WRITTEN PERMISSION OF Ipe Clip Fastener Co. IS PROHIBITED.

UNLESS OTHERWISE SPECIFIED:		NAME	DATE
DIMENSIONS ARE IN INCHES		JDU	2-11-11
TOLERANCES:			
FRACTIONAL ±			
ANGULAR: MACH ±			
BEND ±			
TWO PLACE DECIMAL ±			
THREE PLACE DECIMAL ±			
MATERIAL:		Q.A.	
HDPE		COMMENTS:	
FINISH:			
NEXT ASSY	USED ON		
APPLICATION	DO NOT SCALE DRAWING		

Ipe Clip Fastener Co.		
TITLE: DECK TILE FASTENER		
SIZE	DWG. NO.	REV
C	PART PRINT	
SCALE: 1:1	WEIGHT:	SHEET 1 OF 1