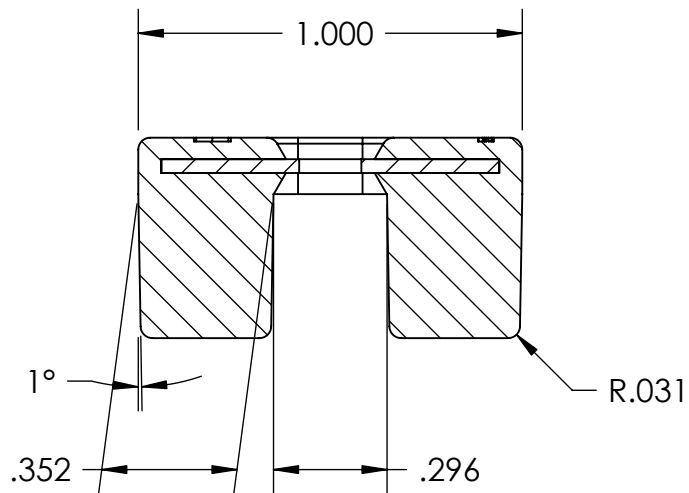
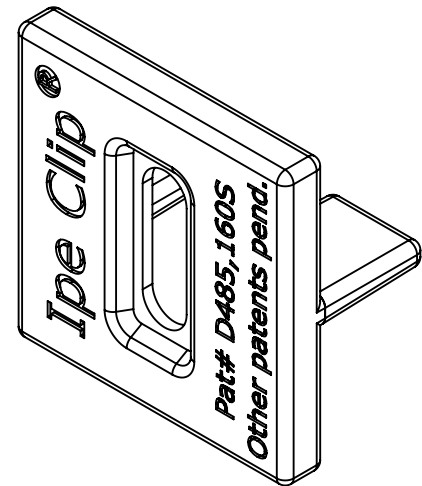
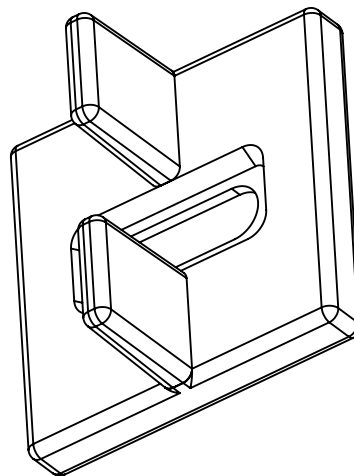


SECTION B-B



SECTION A-A



NOTE: UNLESS OTHERWISE SPECIFIED
 1: TYP. DRAFT IS 1° T.P.S.
 2: TYP. FILLET IS R.031

Part Identification Numbers
 ICEX-TBL (BLACK)
 ICEX-TBR (BROWN)
 ICEX-TGR (GRAY)

PROPRIETARY AND CONFIDENTIAL
 THE INFORMATION CONTAINED IN THIS DRAWING IS THE SOLE PROPERTY OF IPE Clip Fastener Co. ANY REPRODUCTION IN PART OR AS A WHOLE WITHOUT THE WRITTEN PERMISSION OF IPE Clip Fastener Co. IS PROHIBITED.

		UNLESS OTHERWISE SPECIFIED:		NAME	DATE	EPI Clip Fastener Co.	
		DIMENSIONS ARE IN INCHES TOLERANCES: FRACTIONAL ± ANGULAR: MACH ± BEND ± TWO PLACE DECIMAL ± THREE PLACE DECIMAL ±		DRAWN	Dean		
		INTERPRET GEOMETRIC TOLERANCING PER:		CHECKED			TITLE: EXTREME TALL
		MATERIAL		ENG APPR.			
NEXT ASSY		USED ON		MFG APPR.			SIZE
APPLICATION		DO NOT SCALE DRAWING		FINISH	Light EDM Finish		DWG. NO.
				COMMENTS:			REV
							SCALE: 2:1
							WEIGHT:
							SHEET 1 OF 1