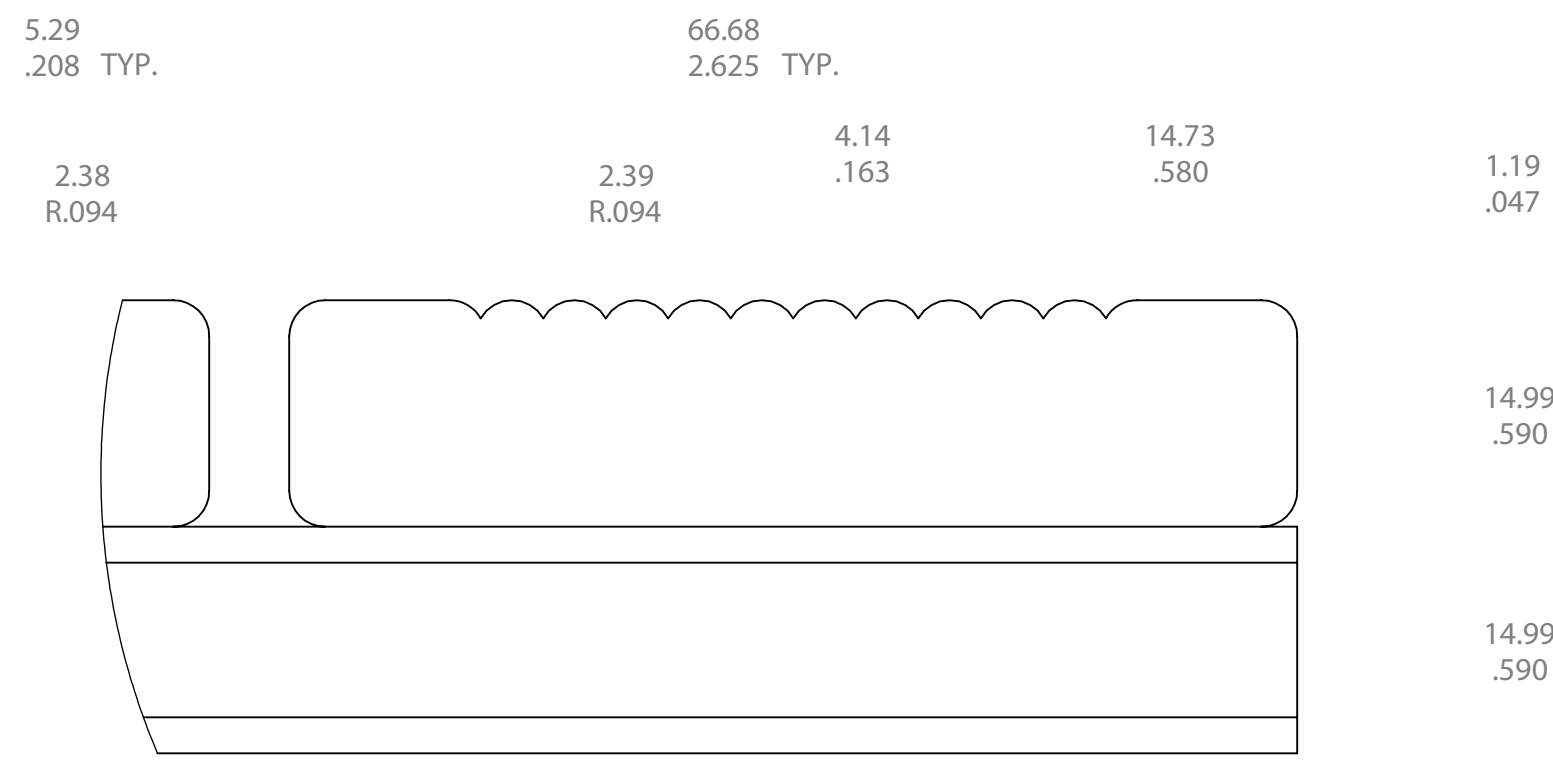
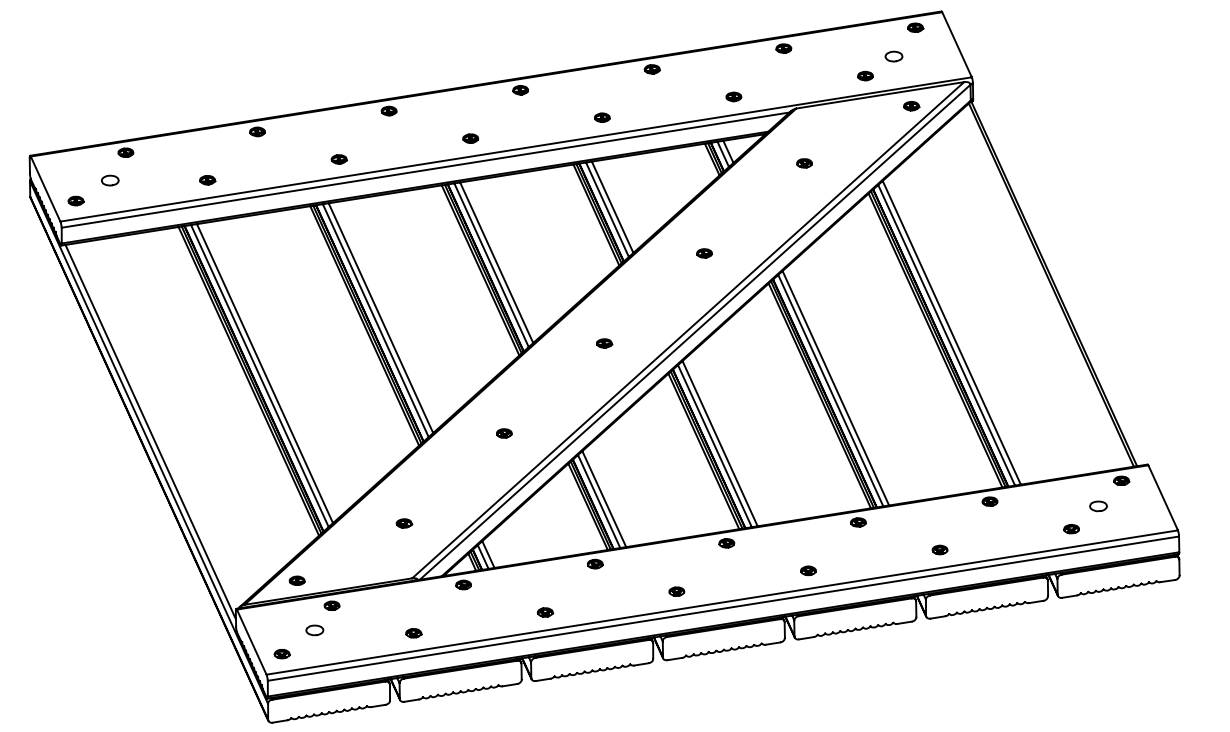
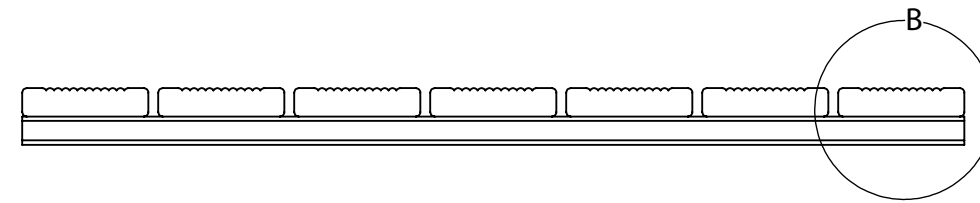
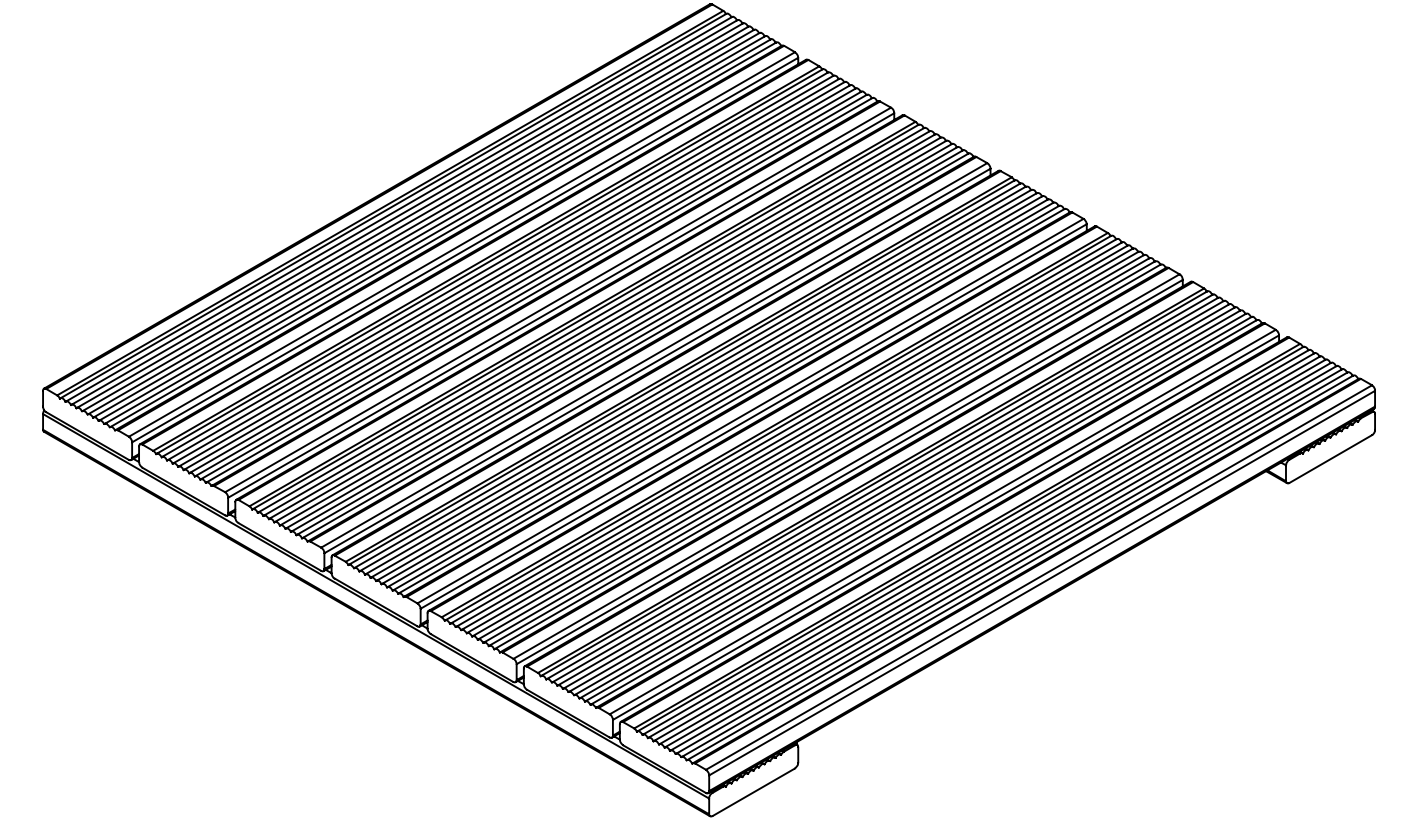
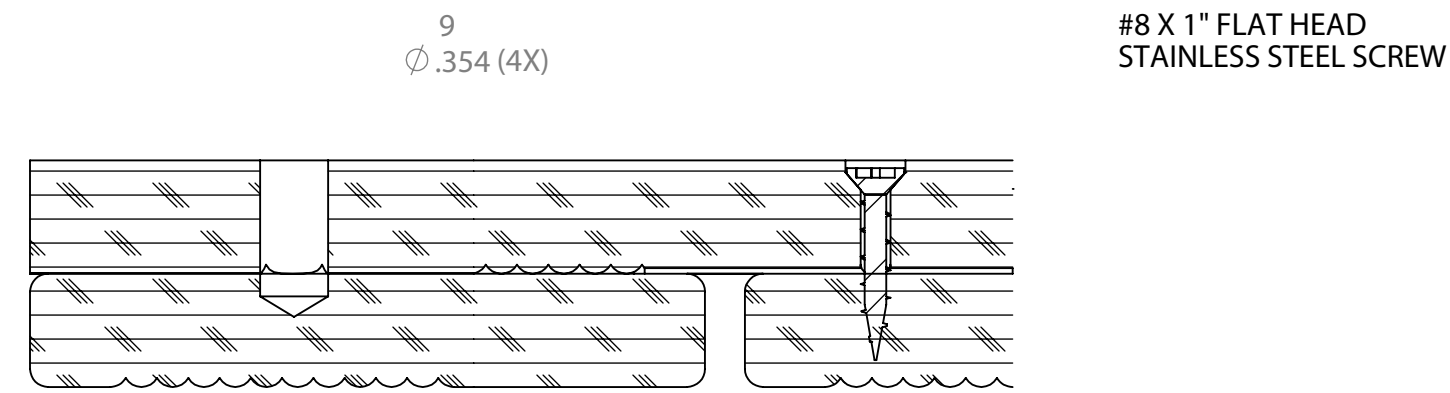


create a new graph showing that to drill your own hole into a deck tile that wasn't pre-drilled, all you have to do is drill in a hole that is 1.375" from either side of the corner.



DETAIL B  
SCALE 2 : 1



SECTION B-B  
SCALE 1 : 1

PROPRIETARY AND CONFIDENTIAL  
THE INFORMATION CONTAINED IN THIS DRAWING IS THE SOLE PROPERTY OF ADVANTAGE TRIM & LUMBER. ANY REPRODUCTION IN PART OR AS A WHOLE WITHOUT THE WRITTEN PERMISSION OF ADVANTAGE TRIM & LUMBER IS PROHIBITED.

UNLESS OTHERWISE SPECIFIED:		NAME	DATE	DeckWise™
DIMENSIONS ARE IN INCHES		JDU	5-23-11	
TOLERANCES:				
FRACTIONAL	±	CHECKED		TITLE: <b>DECK TILE ANTI SKID</b>
ANGULAR MATCH	± BEND ±	ENG APPR.		
TWO PLACE DECIMAL	±	MFG APPR.		SIZE <b>D</b>
THREE PLACE DECIMAL	±			
INTERPRET GEOMETRIC TOLERANCING PER:		Q.A.		DWG. NO.
MATERIAL:		COMMENTS:		
NEXT ASSY	USED ON	FINISH		REVISIONS
APPLICATION				SCALE: 1-4
				WEIGHT:
				SHEET 1 OF 1

Deck tile with anti skid