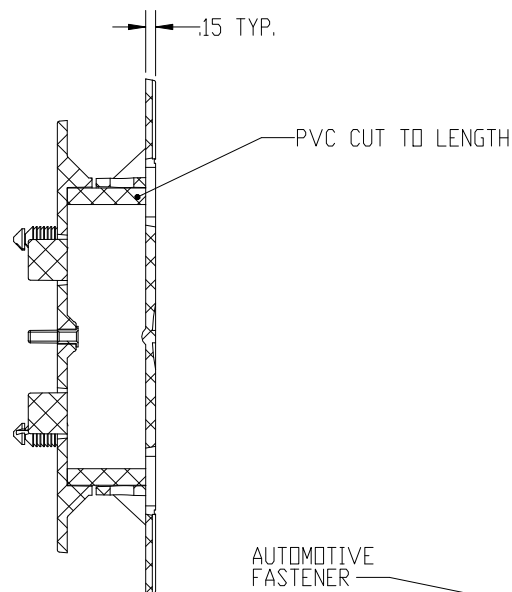
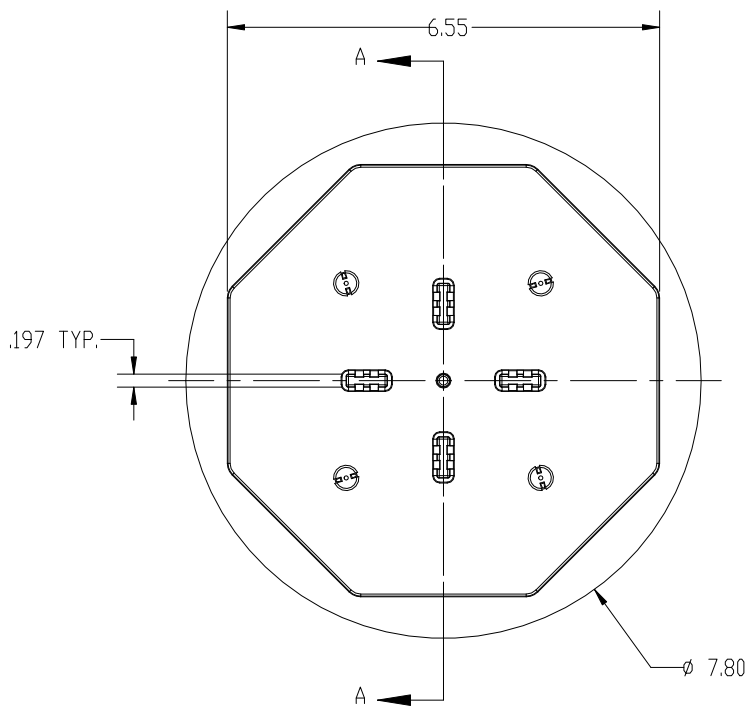


4

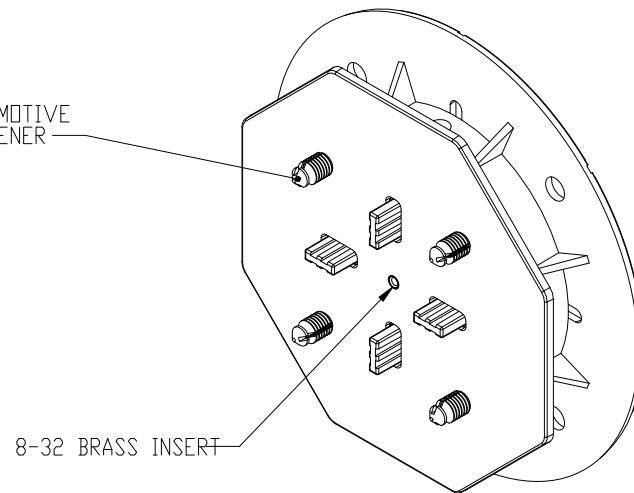
3

2

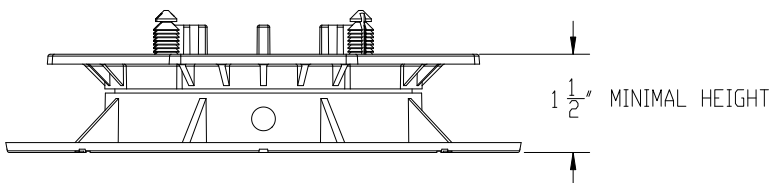
1



SECTION A-A



8-32 BRASS INSERT



PROPRIETARY AND CONFIDENTIAL
 THE INFORMATION CONTAINED IN THIS
 DRAWING IS THE SOLE PROPERTY OF
 Ipe Clip Fastener Co. ANY
 REPRODUCTION IN PART OR AS A WHOLE
 WITHOUT THE WRITTEN PERMISSION OF
 Ipe Clip Fastener Co. IS PROHIBITED.

		UNLESS OTHERWISE SPECIFIED		NAME	DATE	Ipe Clip Fastener Co.	
		DIMENSIONS ARE IN INCHES		JDU	5/17/18	TITLE:	
		TOLERANCES:		DRAWN		SHORT BASE	
		FRACTIONAL ±		CHECKED		STATIONARY HEAD	
		ANGULAR: MACH ± BEND ±		ENG APPR.		SIZE	DWG. NO.
		TWO PLACE DECIMAL ±		MFG APPR.		B	SB-SH-001-B
		THREE PLACE DECIMAL ±		Q.A.		SCALE: 1:2	WEIGHT:
		INTERPRET GEOMETRIC TOLERANCING PER:		COMMENTS:		REV	
		MATERIAL				SHEET 1 OF 1	
		20% TALC PP					
		FINISH					
NEXT ASSY	USED ON	APPLICATION		DO NOT SCALE DRAWING			

4

3

2

1