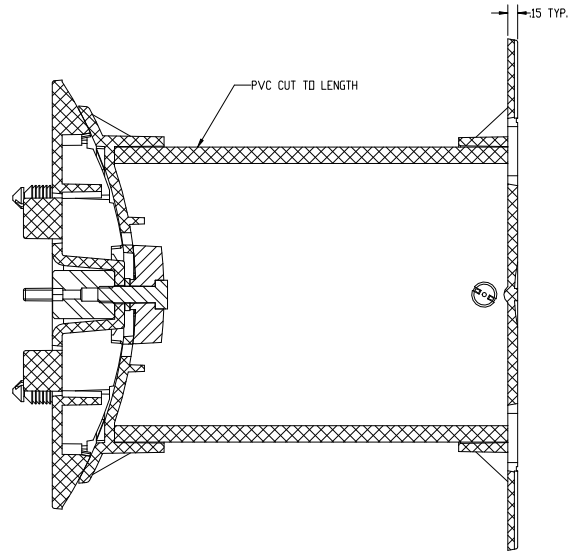
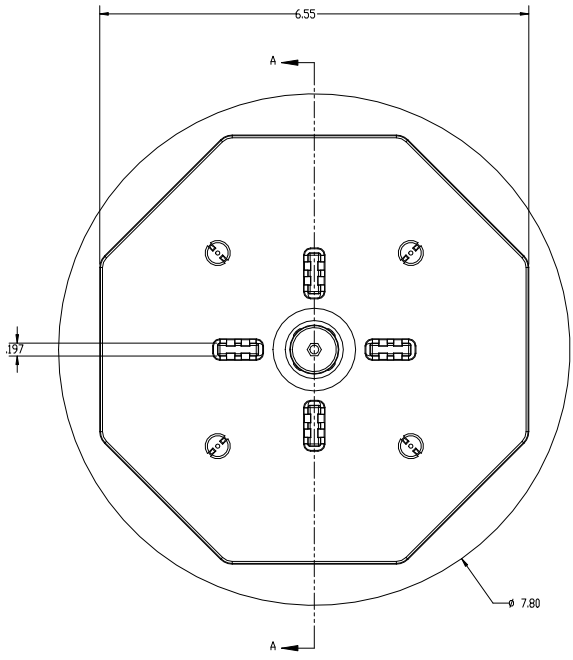
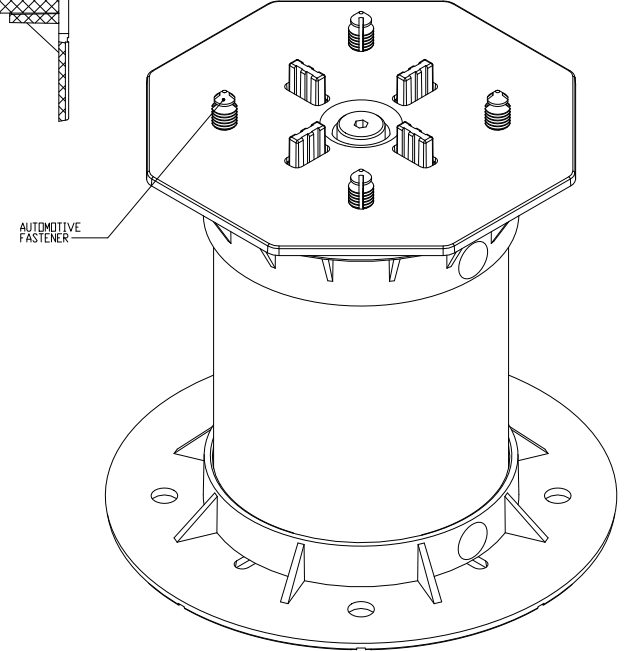
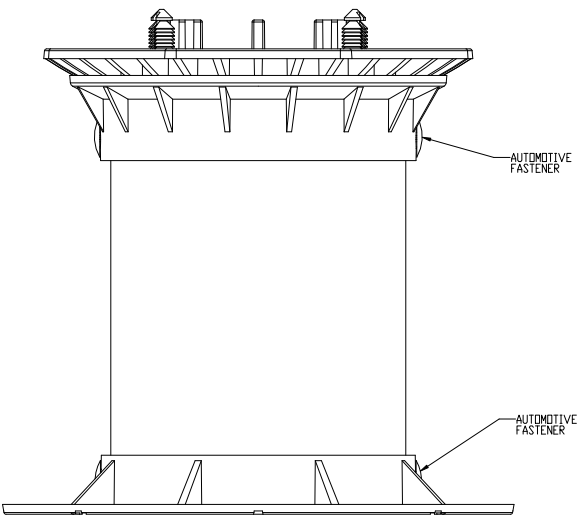


8 7 6 5 4 3 2 1



SECTION A-A



PROPRIETARY AND CONFIDENTIAL  
 THE INFORMATION CONTAINED IN THIS  
 DRAWING IS THE SOLE PROPERTY OF  
 IPE CLIP FASTENER CO. NO PART OF THIS  
 DRAWING IS TO BE REPRODUCED OR  
 TRANSMITTED IN ANY FORM OR BY ANY  
 MEANS, ELECTRONIC OR MECHANICAL,  
 INCLUDING PHOTOCOPYING, RECORDING,  
 OR BY ANY INFORMATION STORAGE AND  
 RETRIEVAL SYSTEM, WITHOUT THE WRITTEN  
 PERMISSION OF IPE CLIP FASTENER CO. © 2018

| UNLESS OTHERWISE SPECIFIED: |           | NAME | DATE    |
|-----------------------------|-----------|------|---------|
| DIMENSIONS ARE IN INCHES    | DRAWN     | JDU  | 5/18/18 |
| TOLERANCES:                 | CHECKED   |      |         |
| FRACTIONS:                  | ENG APPR. |      |         |
| DECIMALS:                   | MFG APPR. |      |         |
| ANGLES:                     | QA        |      |         |
| WELDING:                    | COMMENTS: |      |         |
| FINISH:                     |           |      |         |
| PAINT:                      |           |      |         |
| APPLICATION:                |           |      |         |

Ipe Clip Fastener Co.  
 TITLE: SHORT BASE  
 ADJUSTABLE HEAD  
 SIZE: DWG: NPL  
 D SB-AH-001-D REV  
 SCALE: 1:1 WEIGHT: SHEET 1 OF 1

8 7 6 5 4 3 2 1