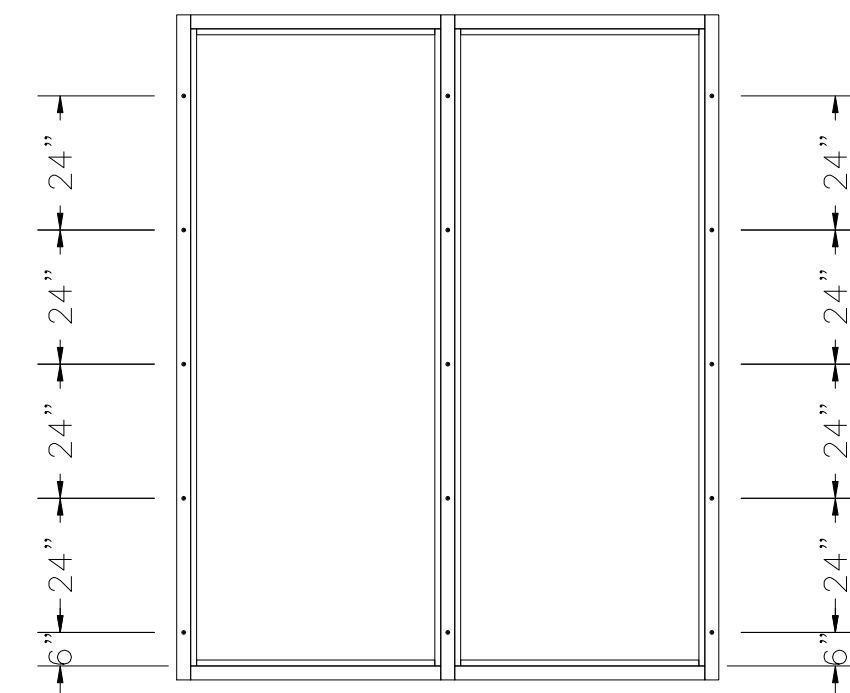
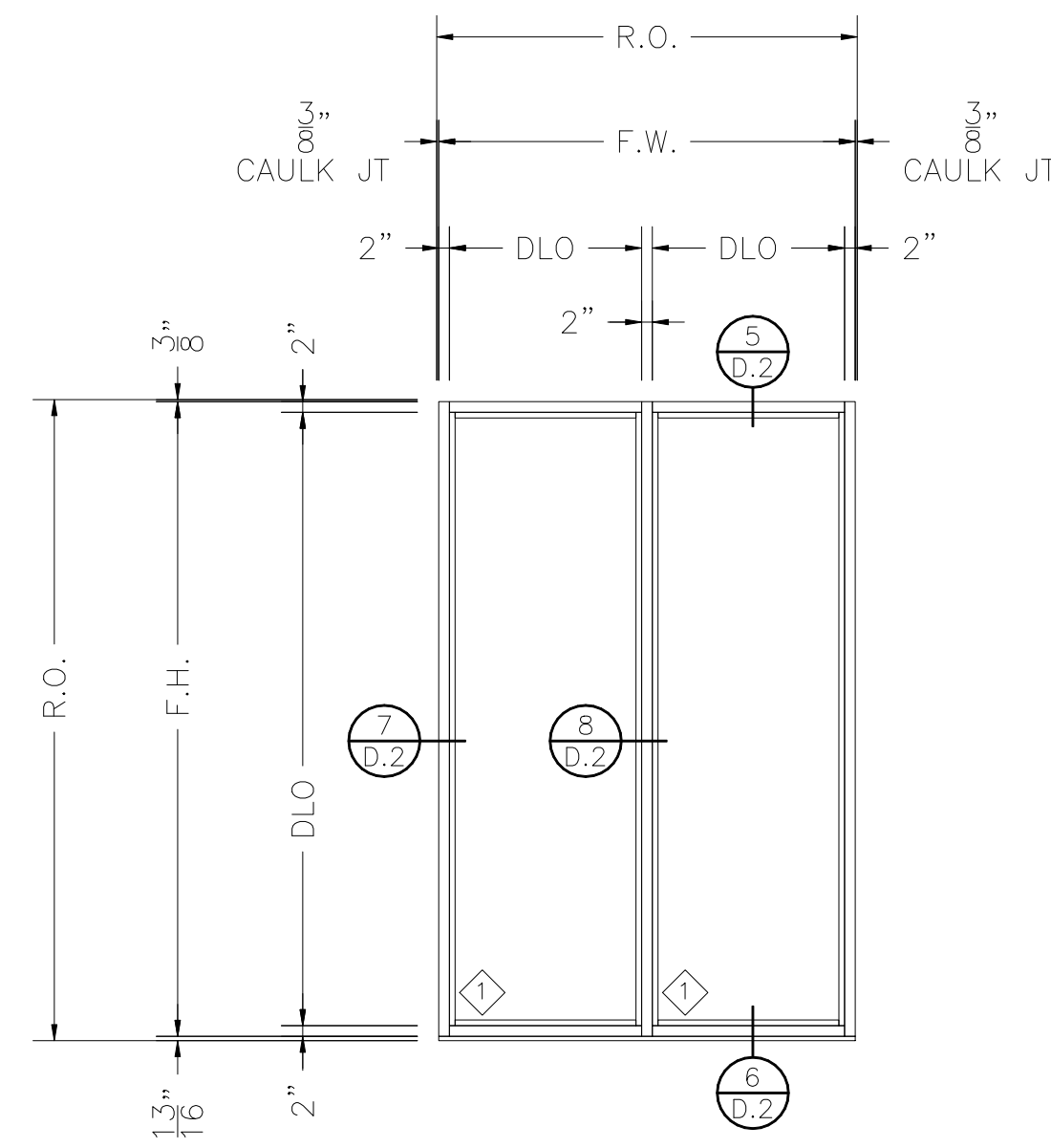


ELEVATION "A"
CURTAIN WALL: 2 1/2" x 7 1/2"
.236 DEFENSELITE WITH
1" x .125 ALUM. BAR TRIM

VIEW FROM THE INSIDE

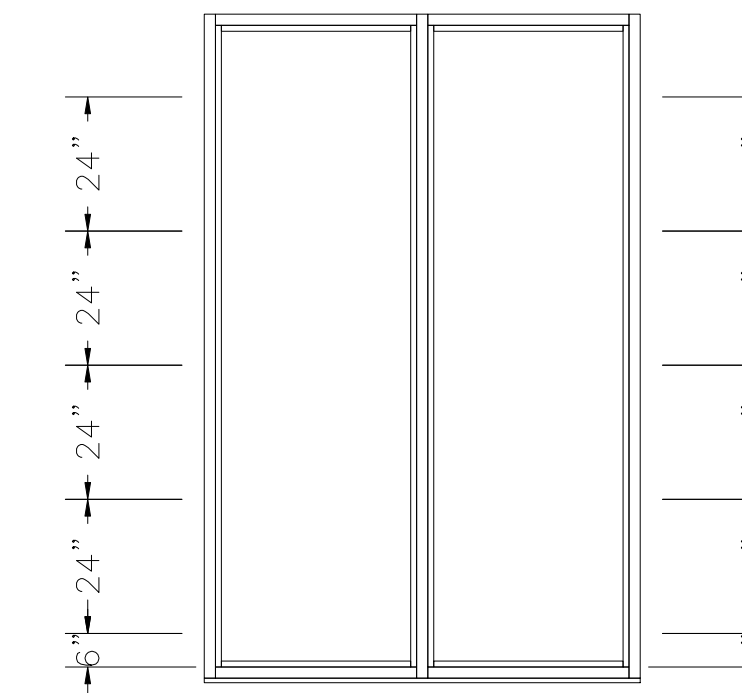


ELEVATION "A"
SHOWING FRAME VENT LAYOUT

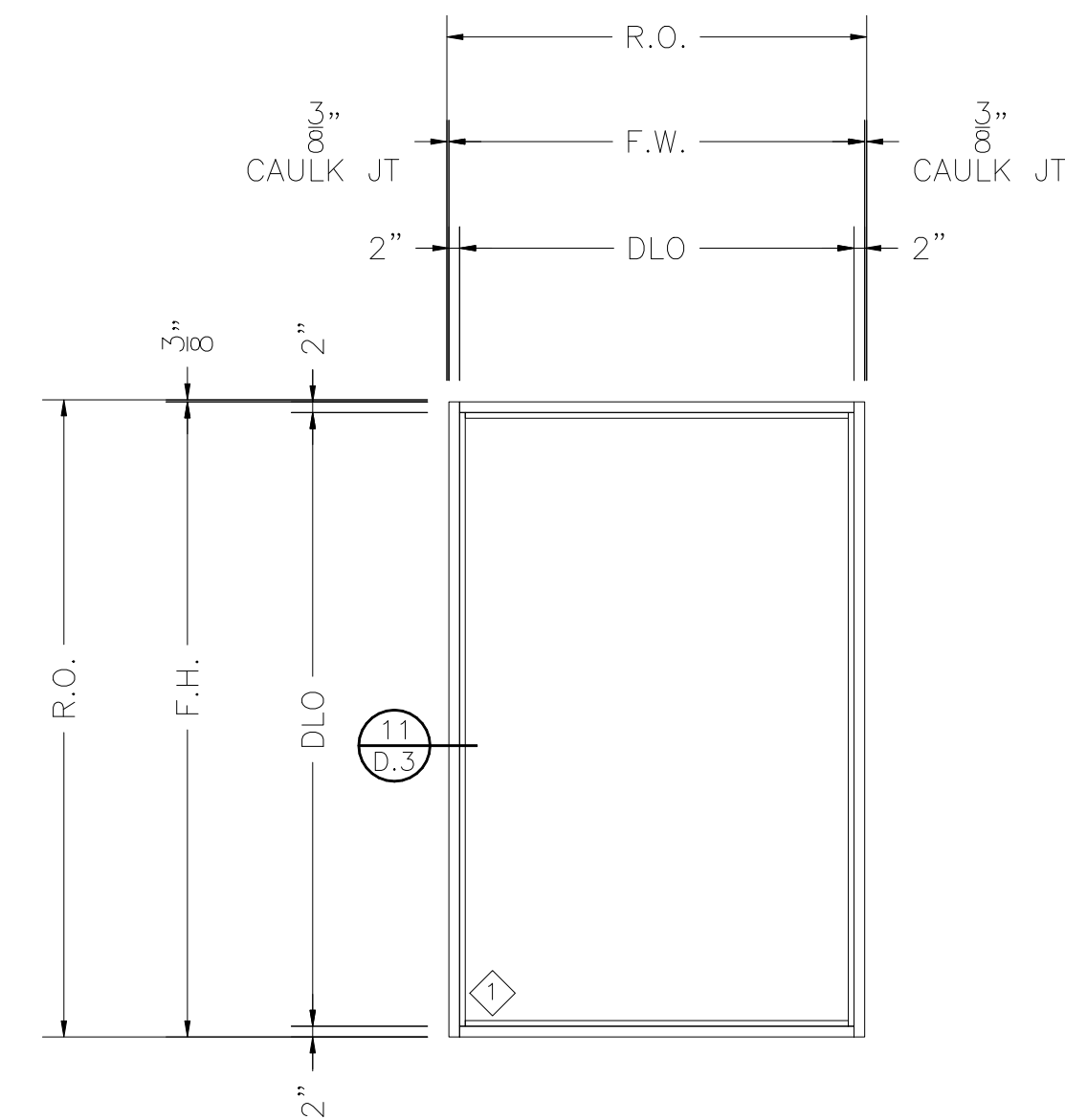


ELEVATION "B"
STOREFRONT 2" x 4 1/2"
.236 DEFENSELITE WITH
1" x .125 ALUM. BAR TRIM
ALUMINUM DOOR WITH
.375 DEFENSELITE

VIEW FROM THE OUTSIDE

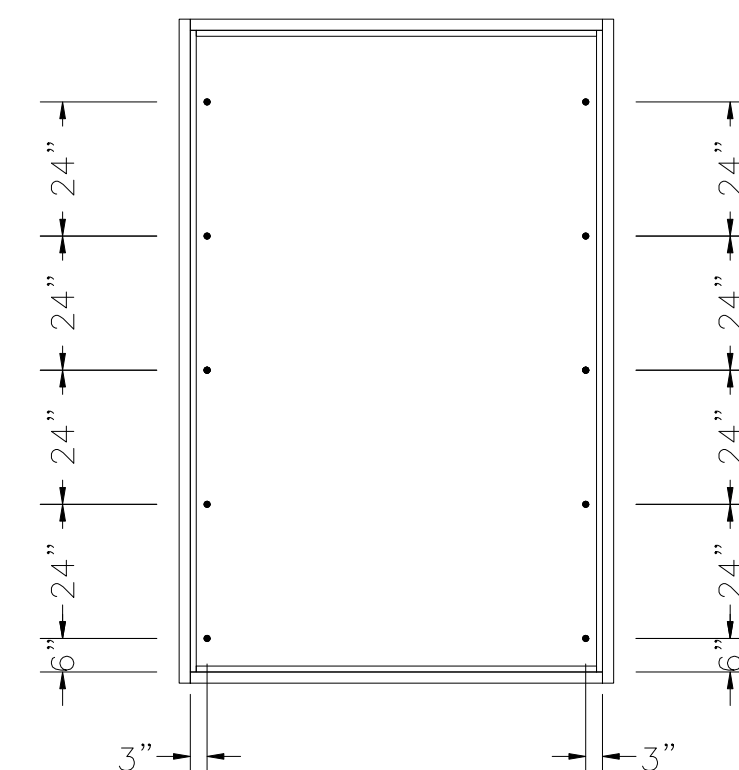


ELEVATION "B"
SHOWING FRAME VENT LAYOUT



ELEVATION "C"
GROUT FILLED HOLLOW METAL
.236 DEFENSELITE WITH
1" x .125 ALUM. BAR TRIM

VIEW FROM THE OUTSIDE



ELEVATION "C"
SHOWING SHIELD VENT LAYOUT



IMPACT SECURITY, LLC.
600 KIRK ROAD
SUITE 100
MARIETTA, GEORGIA 30060
404-660-1003
678-547-3138 FAX

NO.	REVISION	ISSUE DATE	BY	CHK

ARCHITECT NAME AND LOCATION:

CUSTOMER NAME AND LOCATION:

PROJECT NAME AND LOCATION:
DEFENSELITE
VENT PACKAGE
ELEVATIONS

DESCRIPTION: ELEVATION SHEET	
SCALE: 3/8":1'-0"	ISSUE DATE: 07/09/20
DRAWN BY: BS	SHEET NO.:
JOB NUMBER:	E.5