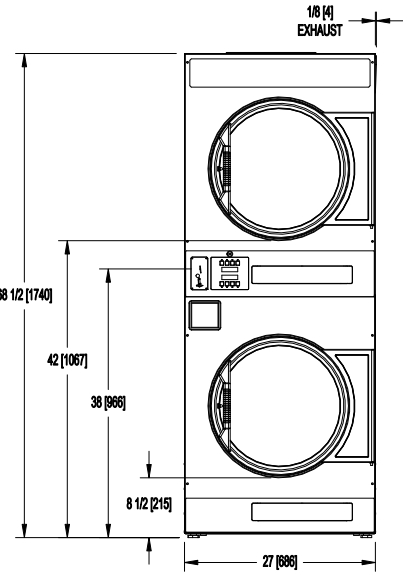
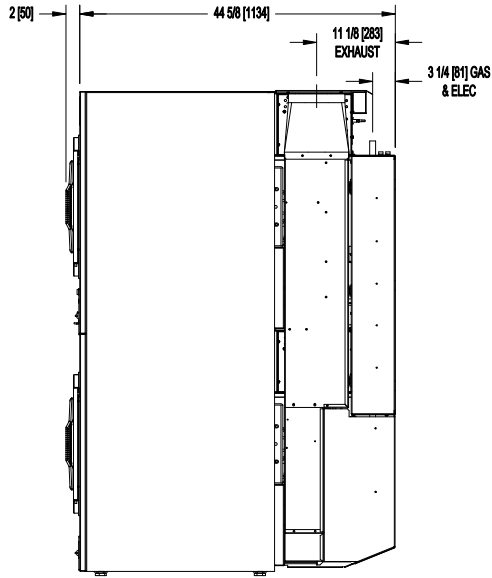


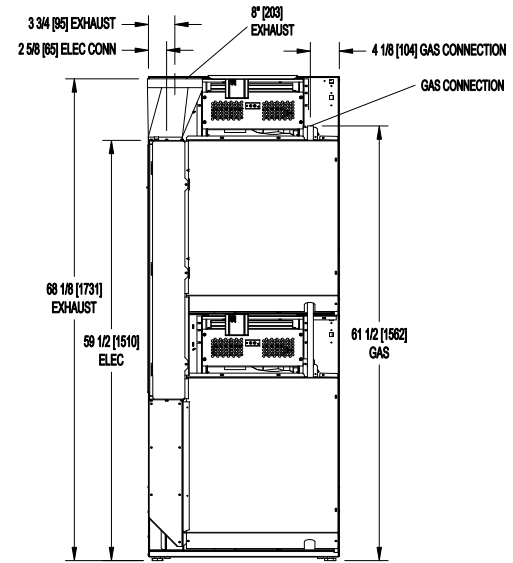
**T-20X2 COMMERCIAL STACK DRYER
INSTALLATION DIMENSIONS**



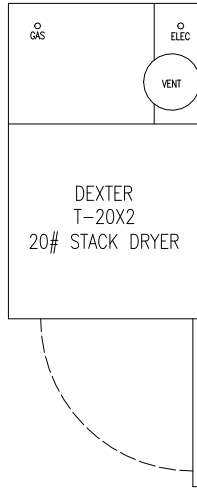
DIMENSIONS ARE IN INCHES [MILLIMETERS]



DIMENSIONS ARE IN INCHES [MILLIMETERS]



DIMENSIONS ARE IN INCHES [MILLIMETERS]



**T-20X2 C-SERIES
VENDED DRYER
CAD BLOCKS**

