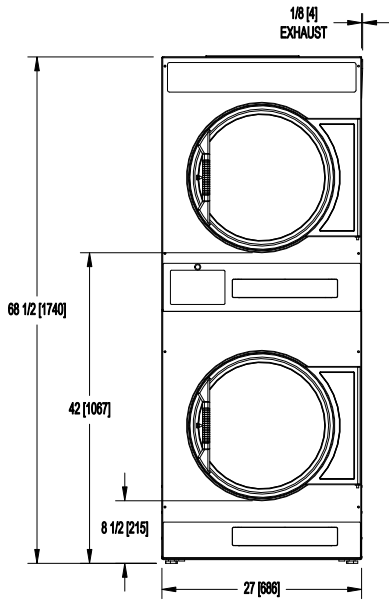
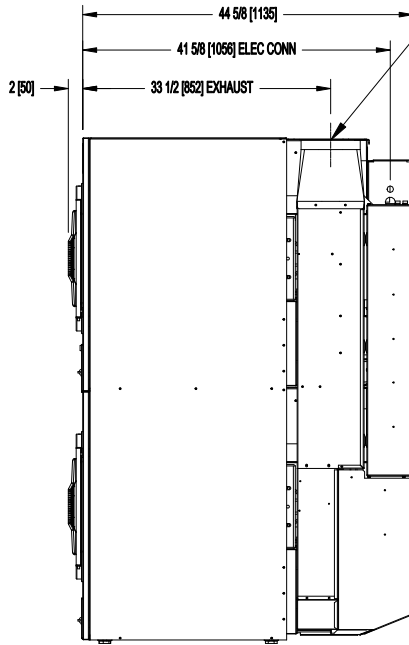


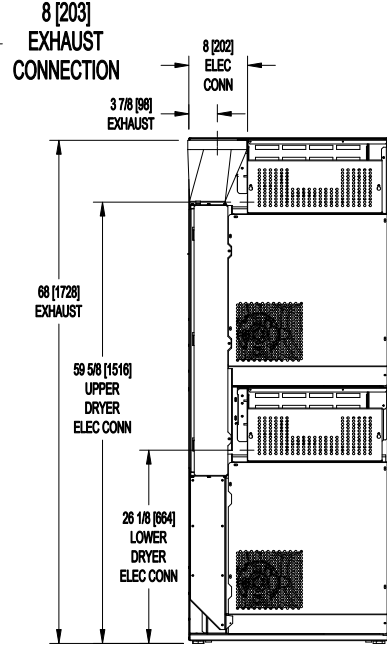
T-20X2 INDUSTRIAL STACK DRYER  
ELECTRIC HEAT  
MOUNTING DIMENSIONS



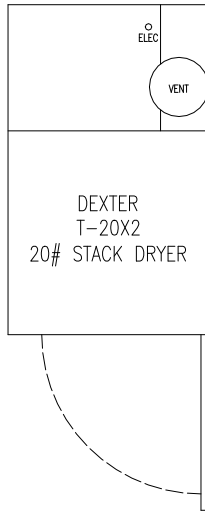
DIMENSIONS ARE IN INCHES [MILLIMETERS]



DIMENSIONS ARE IN INCHES [MILLIMETERS]



DIMENSIONS ARE IN INCHES [MILLIMETERS]



DEXTER  
T-20X2  
20# STACK DRYER

T-20X2 OPL DRYER  
ELECTRIC HEAT  
CAD BLOCKS

