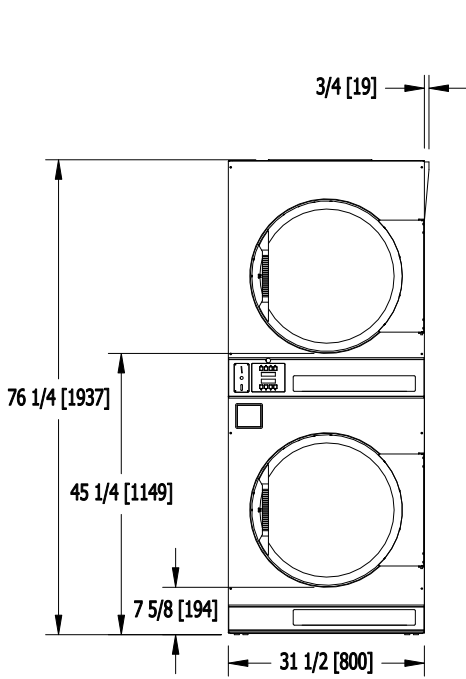
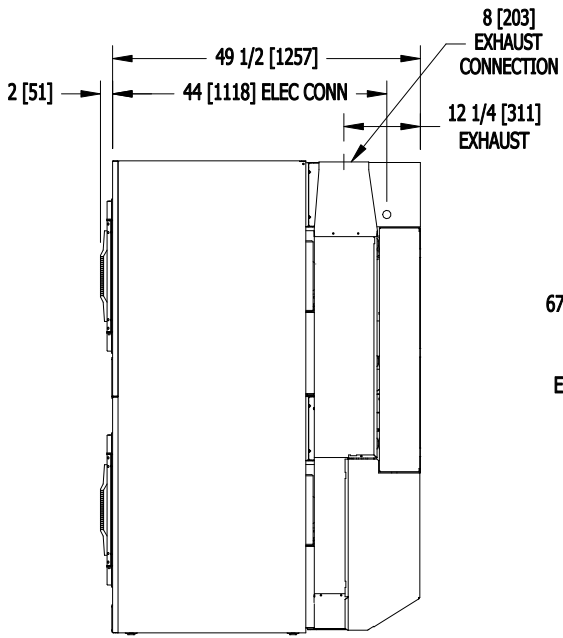


T-30X2 COMMERCIAL DRYER ELECTRIC HEAT INSTALLATION DIMENSIONS



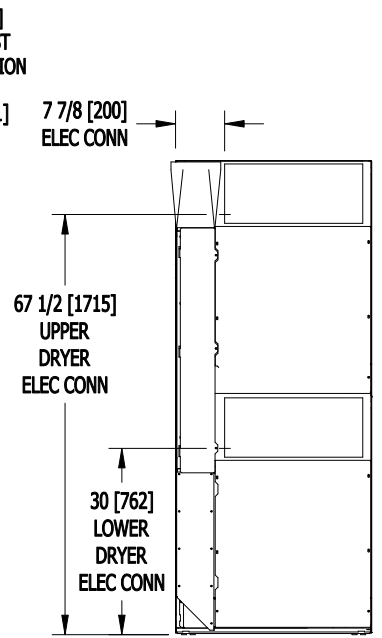
DIMENSIONS ARE IN INCHES [MILLIMETERS]

FRONT



DIMENSIONS ARE IN INCHES [MILLIMETERS]

SIDE



DIMENSIONS ARE IN INCHES [MILLIMETERS]

BACK

