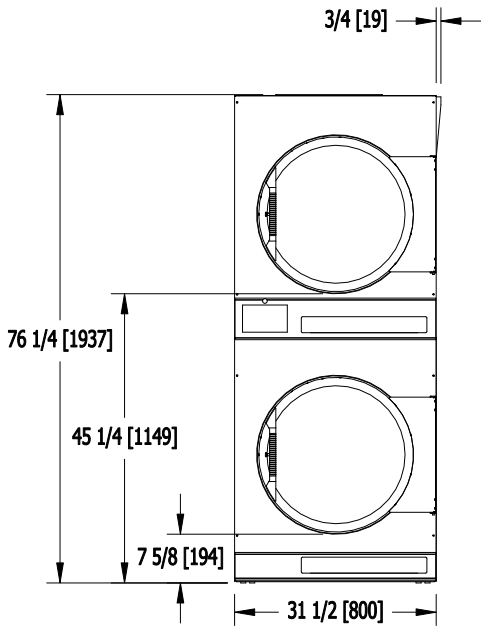
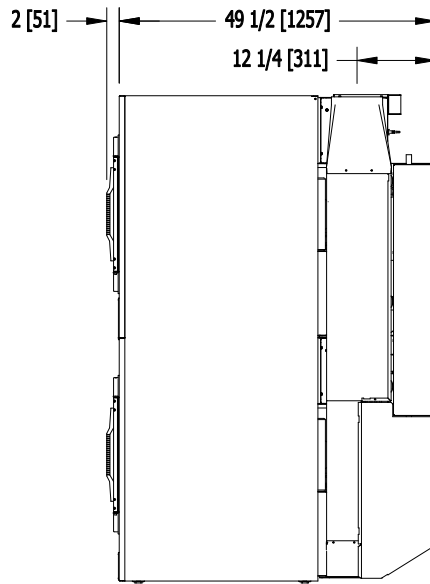


T-30X2 INDUSTRIAL DRYER INSTALLATION DIMENSIONS



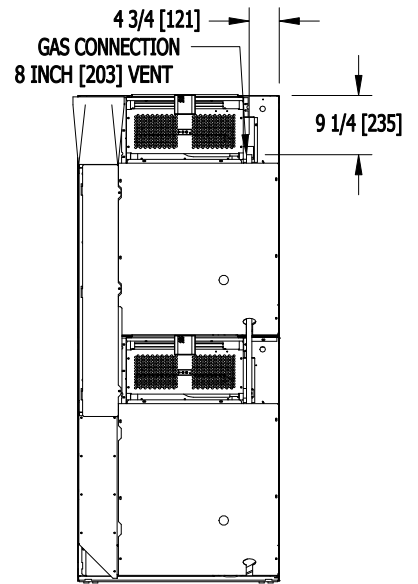
DIMENSIONS ARE IN INCHES [MILLIMETERS]

FRONT



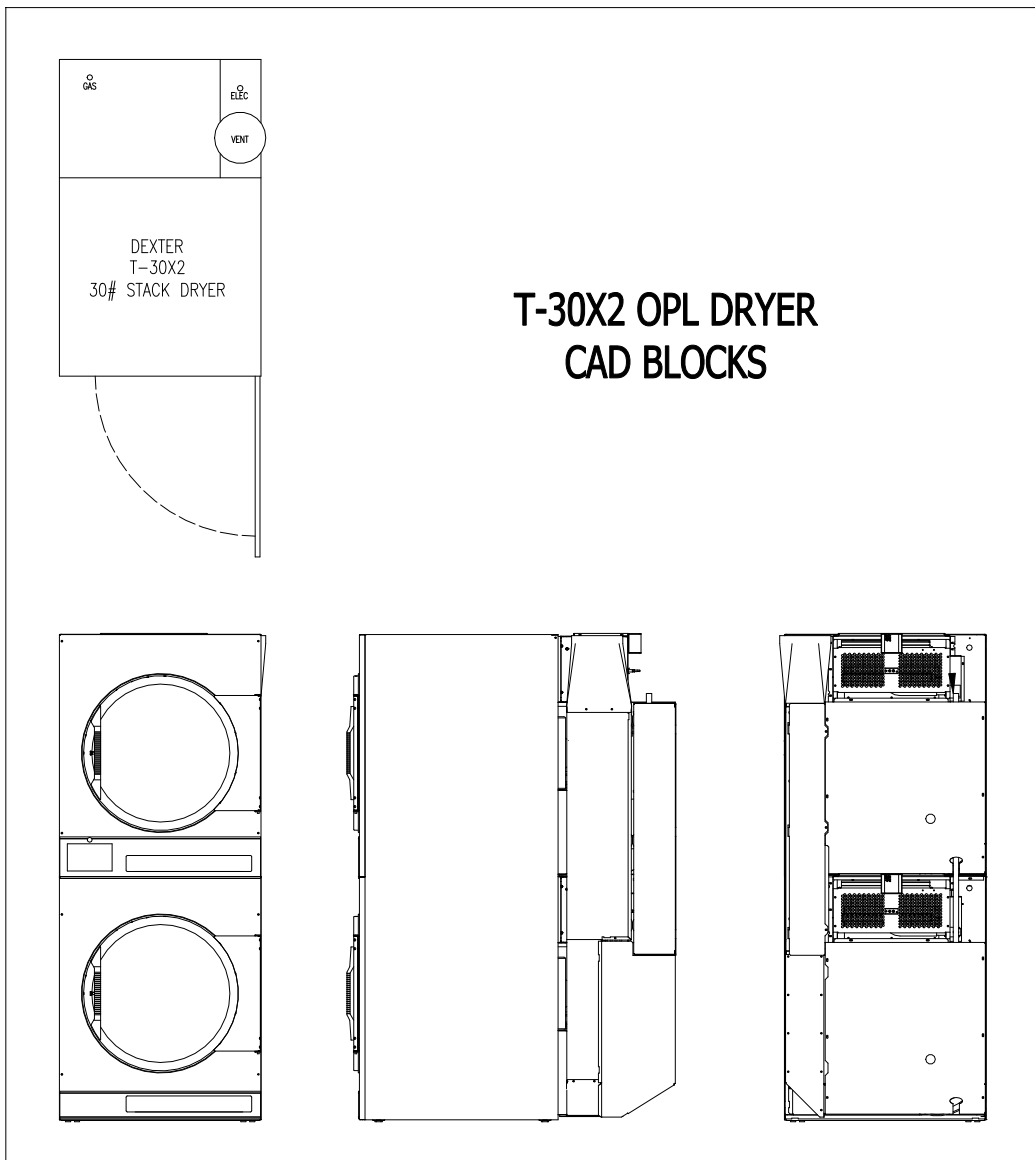
DIMENSIONS ARE IN INCHES [MILLIMETERS]

SIDE



DIMENSIONS ARE IN INCHES [MILLIMETERS]

BACK



T-30X2 OPL DRYER CAD BLOCKS