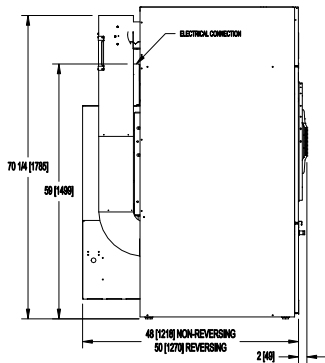
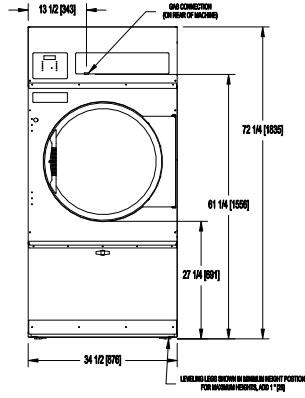


TOP

**T-50 INDUSTRIAL
6-CYCLE DRYER
INSTALLATION DIMENSIONS**

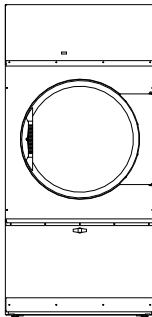
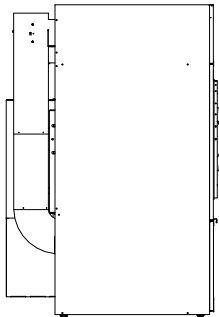
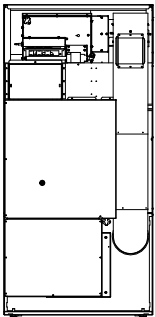
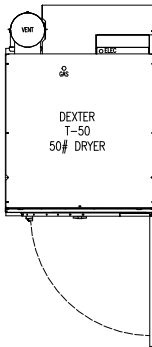


SIDE



FRONT

**T-50 OPL
6-CYCLE DRYER
CAD BLOCKS**



**T-50 REVERSING
OPL 6-CYCLE
DRYER
CAD BLOCKS**

