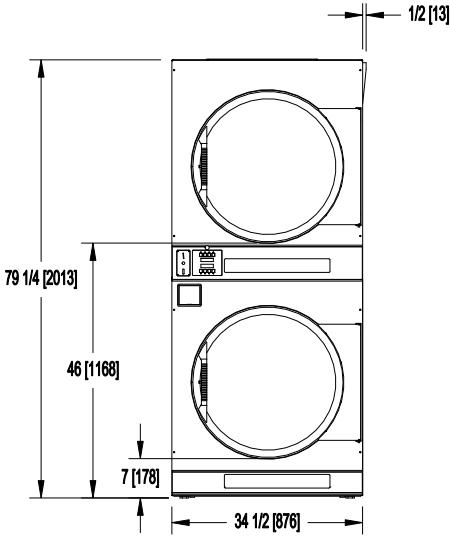
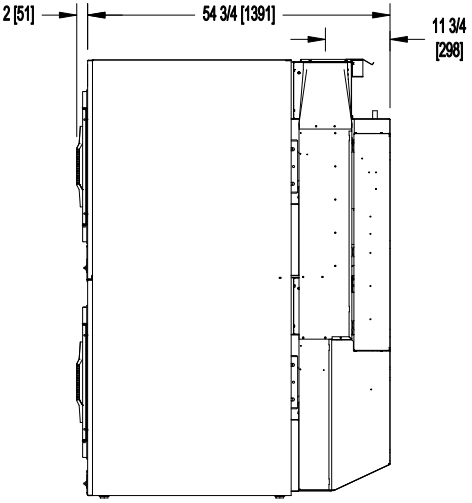


**T-50X2 COMMERCIAL DRYER  
REVERSING AND NON-REVERSING  
INSTALLATION DIMENSIONS**



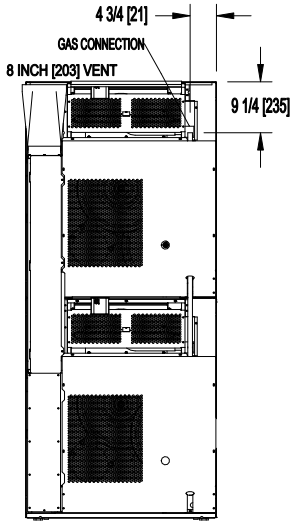
DIMENSIONS ARE IN INCHES [MILLIMETERS]

**FRONT**



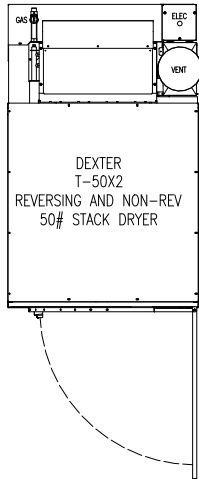
DIMENSIONS ARE IN INCHES [MILLIMETERS]

**SIDE**



DIMENSIONS ARE IN INCHES [MILLIMETERS]

**BACK**



**T-50X2 C-SERIES  
VENDED DRYER  
CAD BLOCKS**

