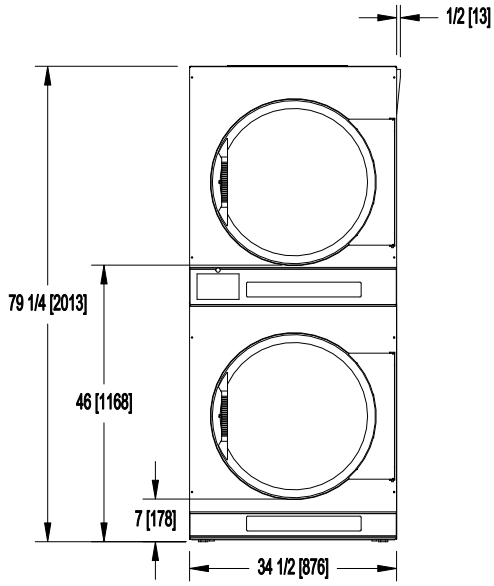
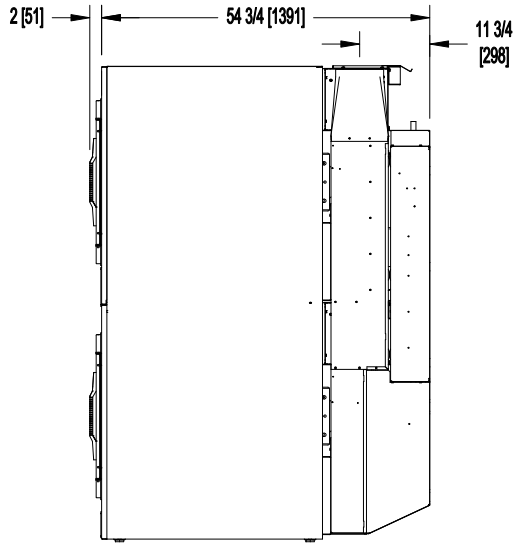


# T-50X2 INDUSTRIAL DRYER REVERSING AND NON-REVERSING INSTALLATION DIMENSIONS



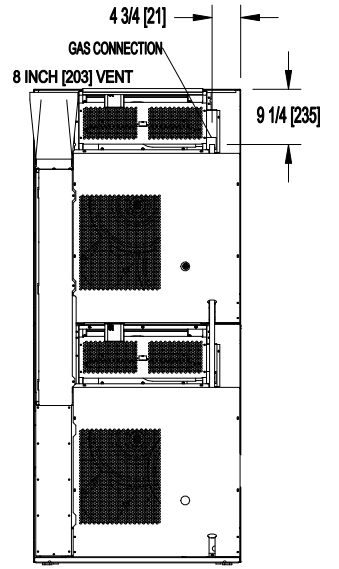
DIMENSIONS ARE IN INCHES [MILLIMETERS]

FRONT



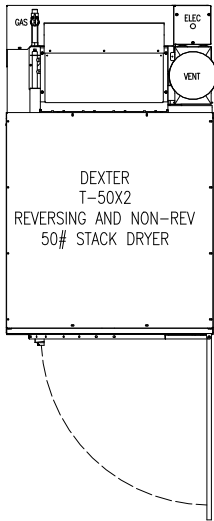
DIMENSIONS ARE IN INCHES [MILLIMETERS]

SIDE



DIMENSIONS ARE IN INCHES [MILLIMETERS]

BACK



## T-50X2 OPL DRYER CAD BLOCKS

