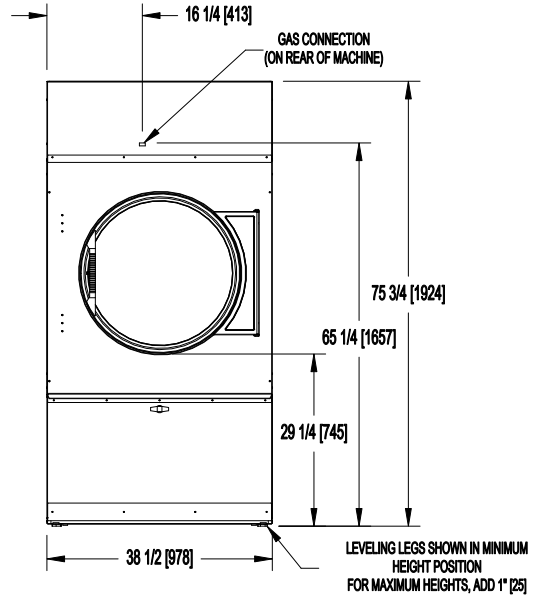
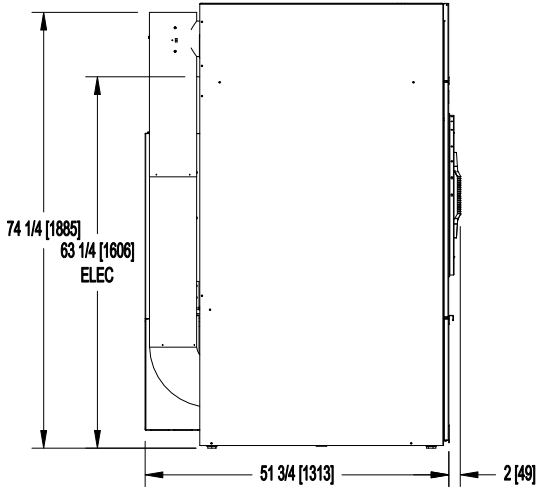
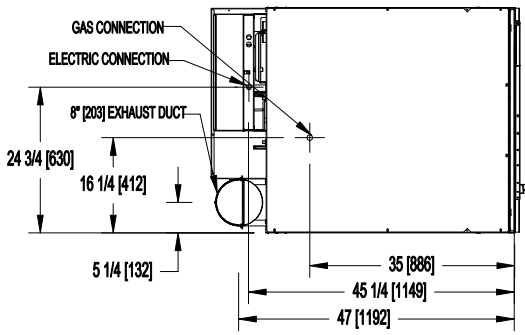


T-80 INDUSTRIAL 6-CYCLE DRYER REVERSING AND NON-REVERSING INSTALLATION DIMENSIONS



T-80 OPL 6-CYCLE DRYER CAD BLOCKS

