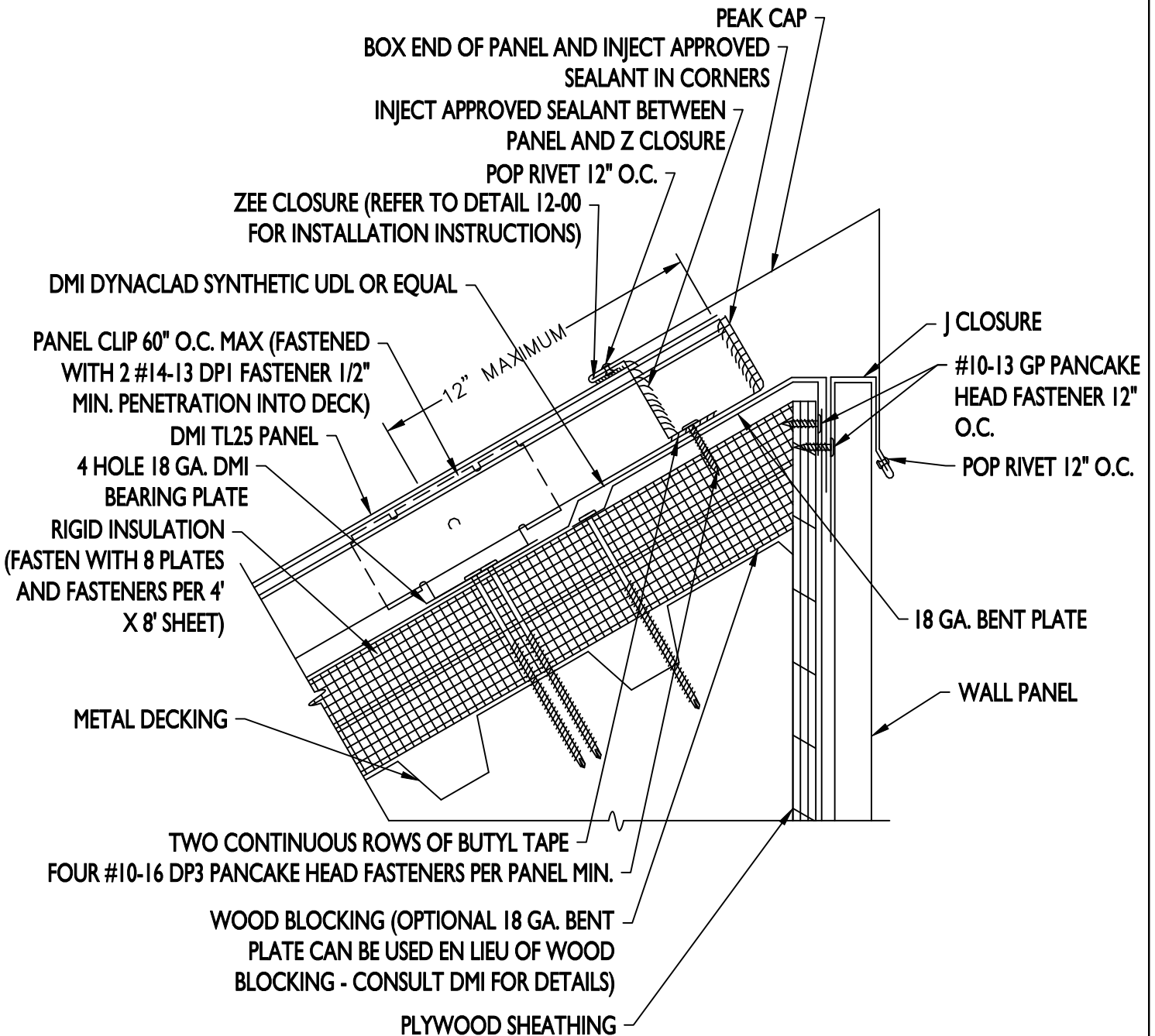


EXPANSION NOTE

PEAK CAPS EXCEEDING 100'-0" IN LENGTH REQUIRE THE USE OF A 6" COVER PLATE.

FLASHING LAP NOTE

LAP PEAK AND CLEATS 2" MIN W/ 2 ROWS OF BUTYL SEALANT.
DO NOT POP RIVET LAPPED FLASHINGS.



NOTE: ALL DIMENSIONS SHOWN UNLESS OTHERWISE NOTED ARE MINIMUM DIMENSIONS.



PEAK W/ WALL PANEL

2014

DIMENSIONAL METALS, INC.

3"-1'-0"

TL25