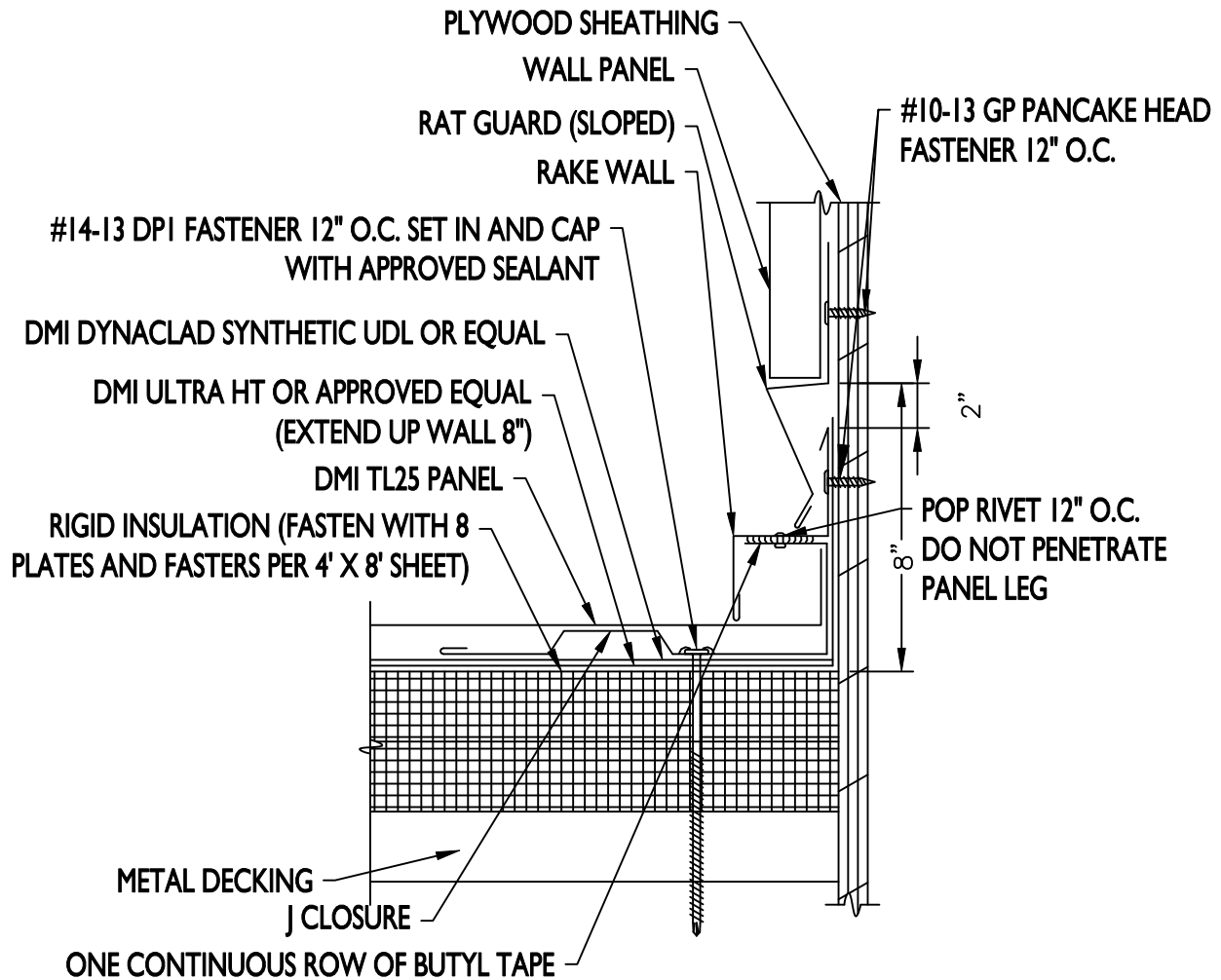


FLASHING LAP NOTE

LAP RAKE WALL AND RAT GUARD (SLOPED) 2" MINIMUM WITH 2 ROWS OF BUTYL SEALANT.



NOTE: ALL DIMENSIONS SHOWN UNLESS OTHERWISE NOTED ARE MINIMUM DIMENSIONS.



RAKE WALL W/ WALL PANEL

2014

DIMENSIONAL METALS, INC.

3"-1'-0"

TL25