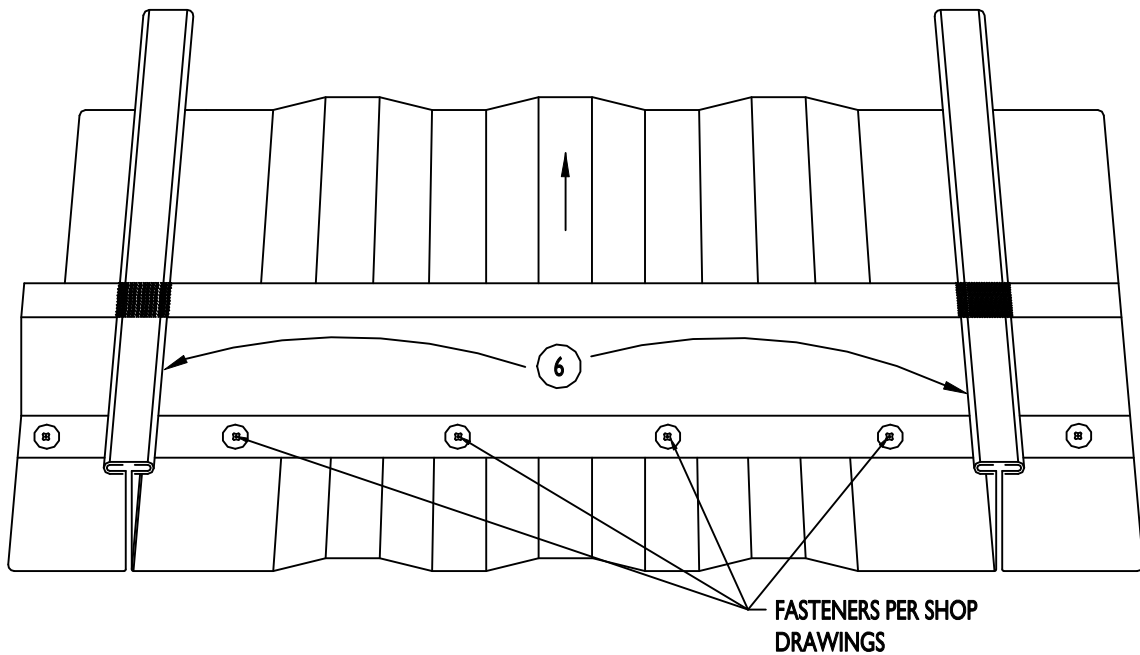
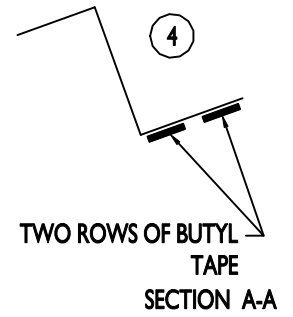
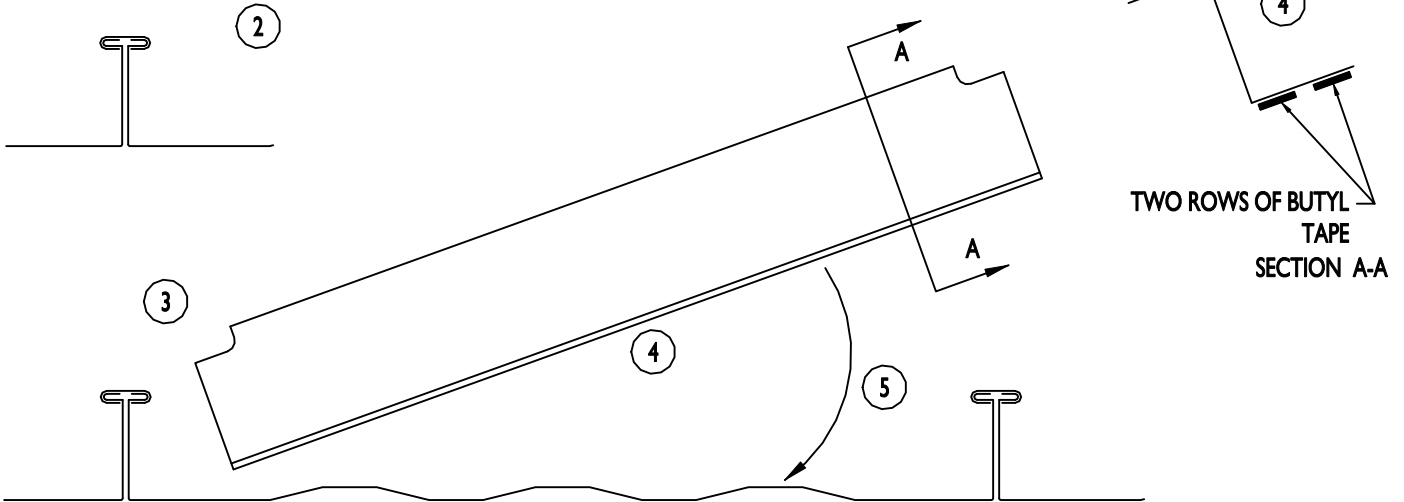
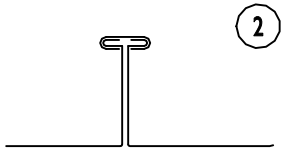
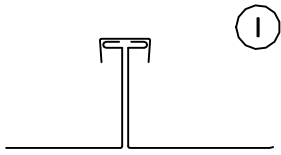


- Step 1: Install seam cap
- Step 2: Fold seam cap over panel seam
- Step 3: Notch both sides of zee closure.
- Step 4: Apply two rows of butyl tape to underside of zee.
- Step 5: Install zee closure.
- Step 6: Seal all contact points of zee and panel legs. Also seal over top of panel leg.



NOTE: ALL DIMENSIONS SHOWN UNLESS OTHERWISE NOTED ARE MINIMUM DIMENSIONS.



Z INSTALLATION GUIDE

DIMENSIONAL METALS, INC.

NOT TO
SCALE

2014

TL25