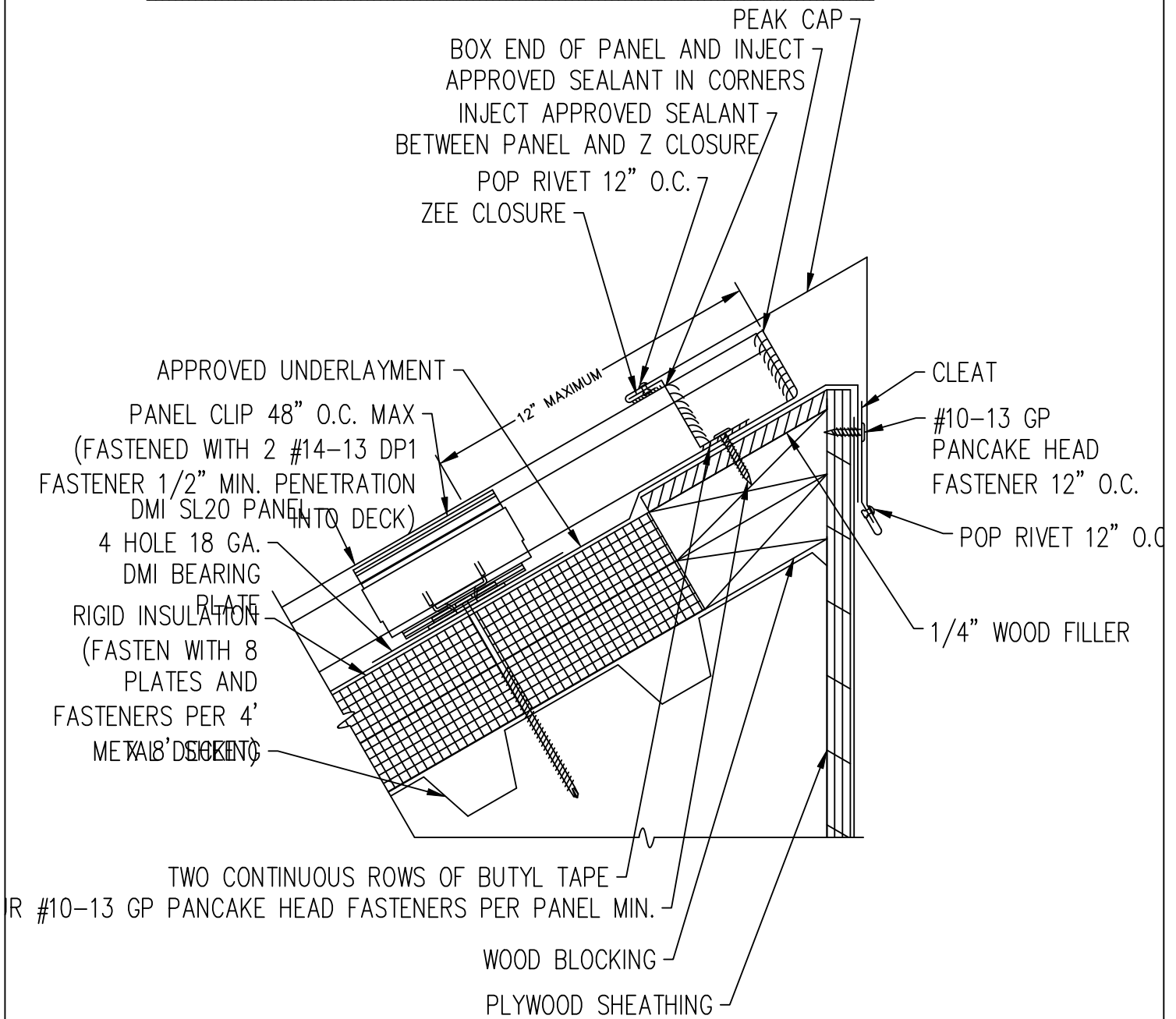


**EXPANSION NOTE**

PEAK CAPS EXCEEDING 100'-0" IN LENGTH REQUIRE THE USE OF A 6" COVER PLATE.

**FLASHING LAP NOTE**

LAP PEAK AND CLEATS 2" MIN W/ 2 ROWS OF BUTYL SEALANT.  
DO NOT POP RIVET LAPPED FLASHINGS.



**PEAK**

**DIMENSIONAL METALS, INC.**

3" = 1'-0"

JANUARY 2015

CAP